

MTC电主轴
MTC ELECTROSPINDLES



适用于机床制造商的高科技部件

High-tech components for machine tool manufacturers.

Hiteco专业设计和制造机床领域使用的高科技工业机电部件。
A.T.C电主轴, M.T.C电主轴, 双向旋转头, 钻头和总成。

Hiteco is specialized in design and manufacture of high technology industrial electromechanical components for machine tools. **A.T.C. electrospindles, M.T.C. electrospindles, birotary heads, boring units and aggregates.**



Hiteco向国际市场推出系列广泛的产品用于加工：**木材, 塑料, 高级材料, 玻璃, 石材和金属。**

Hiteco offers a wide range of products on international market for **wood, plastic, advanced materials, glass, stone and metal processing.**



Hiteco诞生于1977年, 是各类材料加工机床制造领域全球领导者**SCM集团**旗下的一个分部, 自此开始了其指数级的成长之路。2008年, Hiteco成为了**为外部客户市场提供服务的利润中心**。如今其所生产的产品已经成为市场的标杆, 是专业领域中最重要全球巨头之一。

Hiteco founded in 1977 as an internal division of the **SCM Group**, leading company in machine tools construction for processing a wide range of materials, had an increasingly exponential growth. In 2008 it become **a profit unit for external customers**. Today Hiteco offers key products for the components market, becoming one of the most important world players in the sector.

60% 营业额来自外部客户
60% OF TURNOVER FROM EXTERNAL CUSTOMERS

足迹遍及5大洲：直营或分销
DIRECT AND CAPILLARY PRESENCE IN THE 5 CONTINENTS

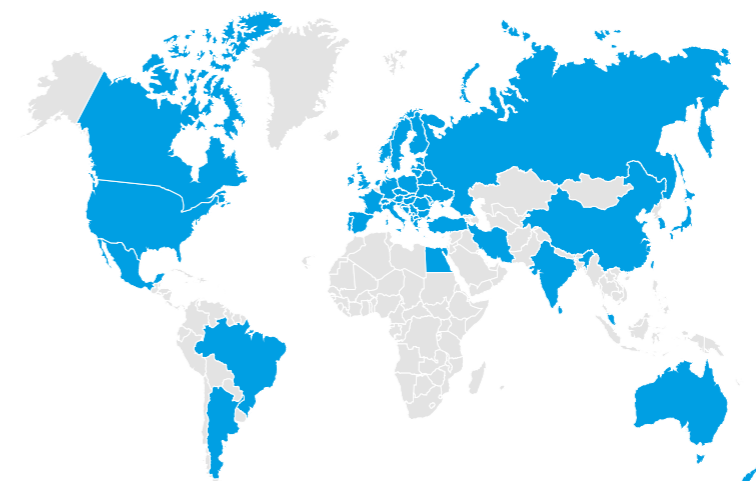
约3000万欧元的营业额
30 MILLION EURO OF TURNOVER

2014-2018年的年增长率 > 25%
ANNUAL GROWTH 2014/2018 > 25%

HITECO 的数字。
Hiteco in numbers.

销售网络遍布全球, 提供一流的服务

A capillary presence for a best-in-class and worldwide service.



分布广泛的网络满足了Hiteco与客户保持密切联系的需求, 在各地派驻了**专业的技术人员**, 保证了极其快速而专业的反应能力: 不仅可以降低停机次数和减少生产中出现的问题, 而且通过提出有效和创新的解决方案来创造附加值。这一优势不仅缩短了交货的时间, 也是Hiteco在国际市场上赢得最高**客户满意度**的原因之一。

The widespread distribution of the company responds to the desire of Hiteco to be close to the customer with the presence of **specialized technicians** on the territory who guarantee an extremely rapid and professional response: not only to reduce machine downtimes and production problems, but also to create added value with the proposal of effective and innovative solutions. Such care, in addition to reduced delivery times, is one of the reason that led Hiteco to have the highest **customer satisfaction** on the international market.



目录 INDEX



电主轴识别码 / ELECTROSPINDLE IDENTIFICATION KEY

Example **QE IF 10/TI 24 63F NC CB EN BT OQ IS**

型号 (外壳尺寸) / MODEL (HOUSING DIMENSION)	
QD	102 X 119,5 mm
	110 X 111 mm
QE	130 X 140 mm
QF	150 X 160 mm
QM	215 X 245 mm, 230x230 mm
QX	130 X 130 mm
PX	150 X 150 mm
HX	150 X 150 mm
QT	150 X 150 mm
HT	150 X 150 mm
HD	130 X 130 mm
KX	Ø 202 mm
ML/MA	Ø 158, Ø 166, 135 x 137, 157 x 165
MG	200 X 200 mm
QN	102 X 119,5 mm
MQH1	205 X 175 mm
XS	70 X 65 mm

冷却 / COOLING TYPE	
1F= 电风扇 / ELECTROFAN	
1C= 压缩空气 / COMPRESSED AIR	
2= 液体 /LIQUID	
1= 轴上的风扇 / FAN ON SHAFT	

额定功率 (S1) @ 速度 / RATED POWER (S1) @ SPEED
最大功率 @ 速度 / MAX POWER @ SPEED

最大速度 / MAX SPEED

刀具接口 / TOOL HOLDER
63F = HSK63F
32E = HSK32E
40E = HSK40E
63E = HSK63E
85S = HSK85S
80F = HSK80F
63A = HSK63A
130 = ISO30
140 = ISO40
ER25
ER32
ER40
轴 / SHAFT, D=12, 16, 30, 40, 50

主轴鼻 / SPINDLE NOSE
NC= 短鼻 /SHORT NOSE
NL= 长鼻 /LONG NOSE
CH= COMPACT SHORT NOSE
LH= COMPACT LONG NOSE

电气连接 / ELECTRIC CONNECTION
CB= 基本连接 / BASIC CONNECTION
CC= 圆形连接 / CIRCULAR CONNECTION
PP= 快速连接 / PLUG AND PLAY CONNECTION
SC= 无连接器 / FLYING CABLE

ENCODER
ES= ENCODER 1 VPP (SYNUSOIDAL WAVE)
EN= ENCODER TTL (SQUARE WAVE)
电压 / VOLTAGE
BT= 双电压 / DUAL VOLTAGE 220V/380V
220 V

OPTIONAL
OQ=OIL MIST+MQL (Minimal Quantity Lubrication)
AT= AIR TOOL
OM= OIL MIST
CTS= 润滑 CTS/ COOLANT THROUGH THE SHAFT

其他变型 / OTHER VARIANTS	
震动传感器 / VIBRATION SENSOR	
轴承温度监控 / BEARING TEMPERATURE MONITORING	
测速仪 / SPEED MONITORING	
S5 - 活塞返回传感器 / PISTON BACK SENSOR	
温度传感器 / TEMPERATURE SENSOR	
iSPINDLE - DIGITAL COMMUNICATION ON FIELDBUS / 主轴 - 现场总线上的数字通信传感器	

MULTITECH	MULTITECH XS	MULTITECH S	MULTITECH QN	MULTITECH MA	MULTITECH ML	MULTITECH MQH
0.19/12 12		p.15				
0.35/12 12	p. 9					
0.55/12 12	p. 10					
0.65/12 12	p. 11					
1/18 24	p. 12					
1.5/12 12		p. 16				
1.8/12 12		p. 17				
1.5/18 24		p. 18				
3/18 18			p. 21			
3/18 24			p. 19/22			
4.5/18 18			p. 21			
4.5/18 24			p. 22			
6.5/18 18			p. 25			
6.5/18 24			p. 25			
7.5/12 24				p. 27	p. 29/31/33	
8/6 9						p. 41
9.5/12 24					p. 35/37	
10/12 24					p. 29/31/33	
12/12 24					p. 35/37/39	
13/6 9						p. 41

ADDITIONAL EQUIPMENT	
C-AXIS FOR POWERTECH 300-400	p. 42
REFERENCE SLEEVE	p. 42
TOOL HOLDER	p. 43
TOOL FINGER	p. 43
HEAT EXCHANGER	p. 43

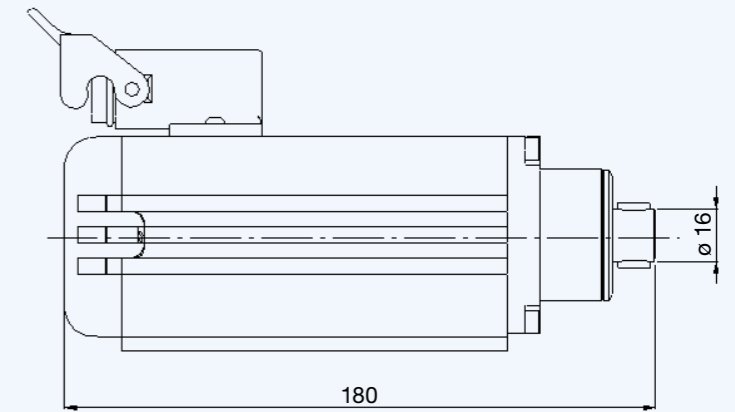
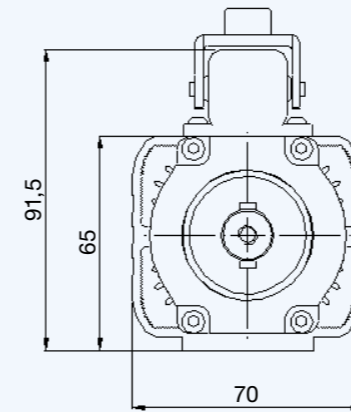


MULTITECH XS



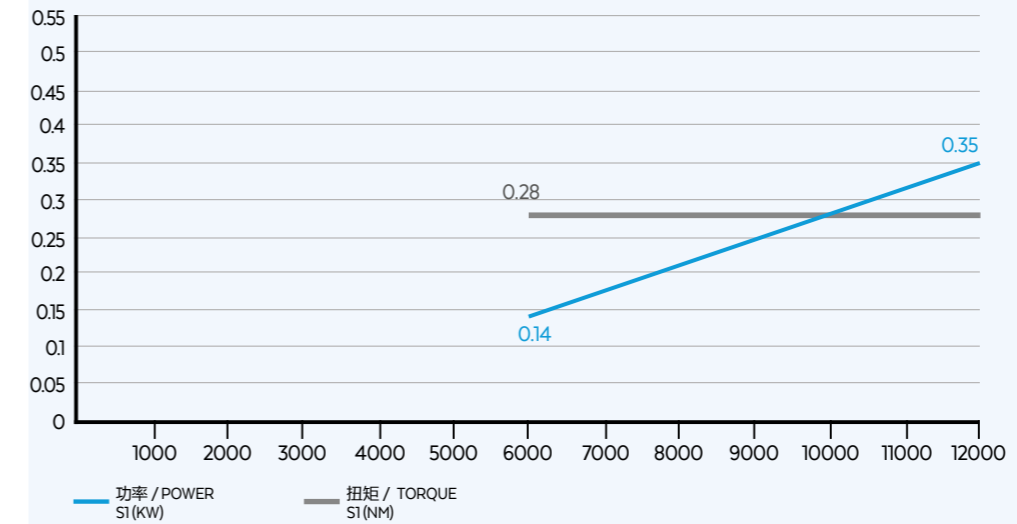
SUITABLE FOR MACHINING WOOD
EFFICIENT COOLING AND LOW NOISE LEVEL
SHAFT ROTATION SENSOR

LAYOUT D16 L13 - 0.35 KW



XS-1 0.35/12 12

性能 / PERFORMANCES



技术规格 / TECHNICAL SPECIFICATIONS

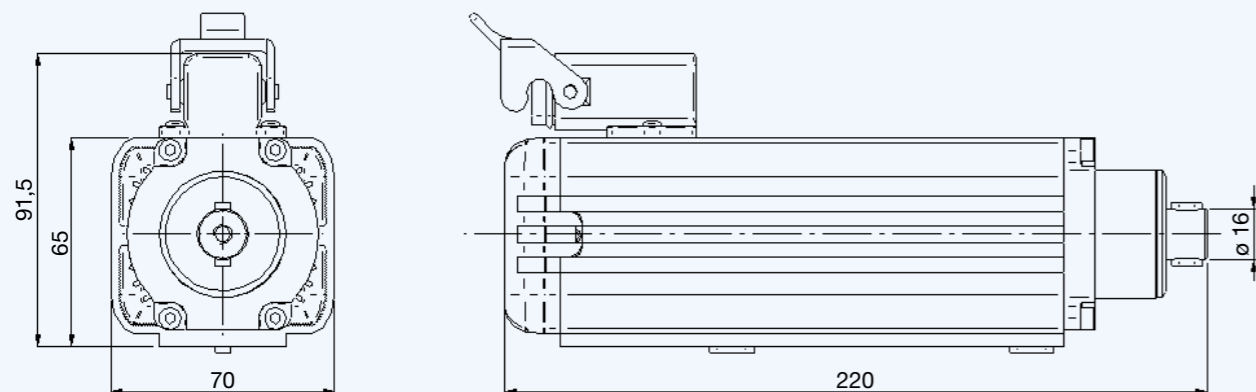
SI kW 0.35	SI A 1.8	Pol es 2
SI Nm 0.28	Volt 220	Supply inverter
rpm 12000	kg 2.7	

器材 / EQUIPMENT

- Shaft D16
- Cooling by shaft-driven fan
- Manual tool change (M.T.C)
- Steel bearings
- Grease lubrication

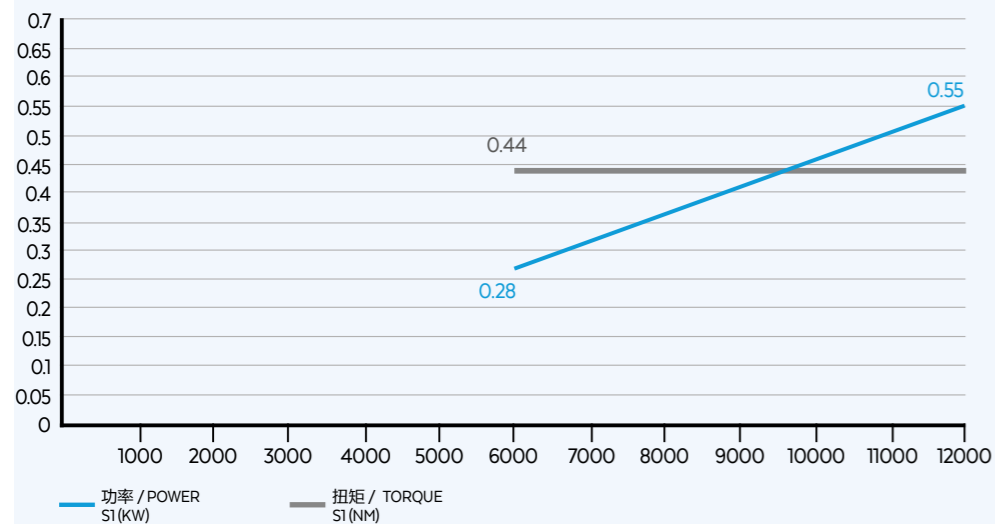


LAYOUT D16 L13 - 0.55 KW



XS-1 0.55/12 12

性能 / PERFORMANCES



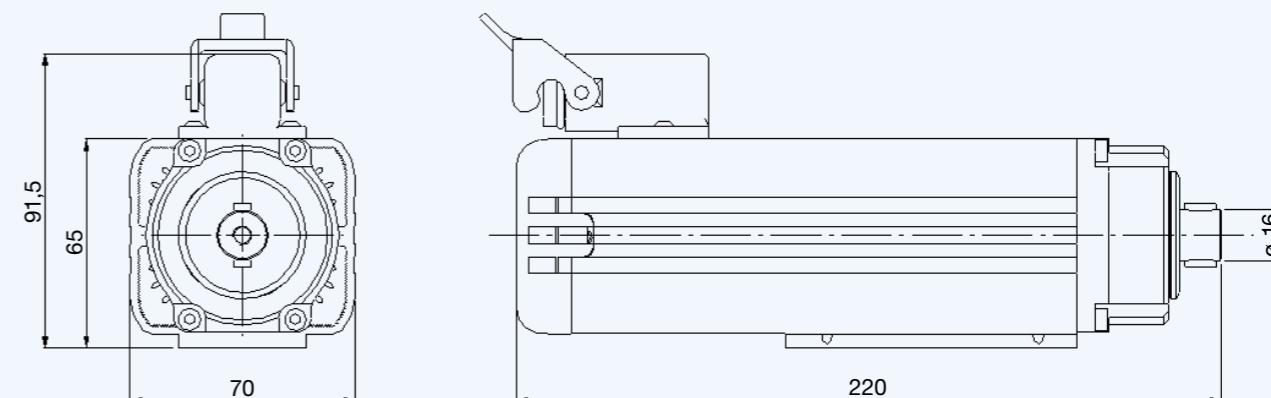
技术规格 / TECHNICAL SPECIFICATIONS

S1 kW 0.55	S1 A 2.7	Pol es 2
S1 Nm 0.44	Volt 220	Sup ply inverter
rpm 12000	kg 3.2	

器材 / EQUIPMENT

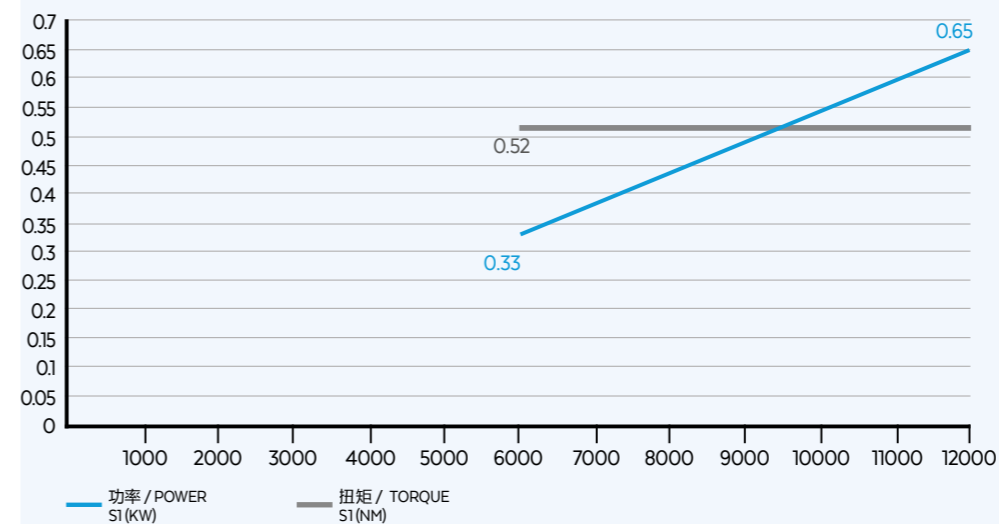
- Shaft D16
- Cooling by shaft-driven fan
- Manual tool change (M.T.C)
- Steel bearings
- Grease lubrication

LAYOUT D16 L13 - 0.65 KW



XS-1 0.65/12 12

性能 / PERFORMANCES



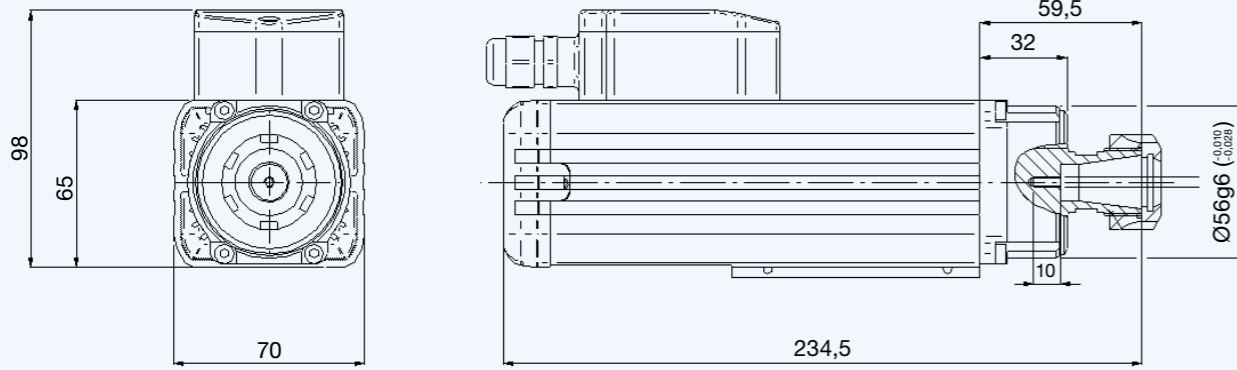
技术规格 / TECHNICAL SPECIFICATIONS

S1 kW 0.65	S1 A 3	Pol es 2
S1 Nm 0.52	Volt 220	Sup ply inverter
rpm 12000	kg 3.3	

器材 / EQUIPMENT

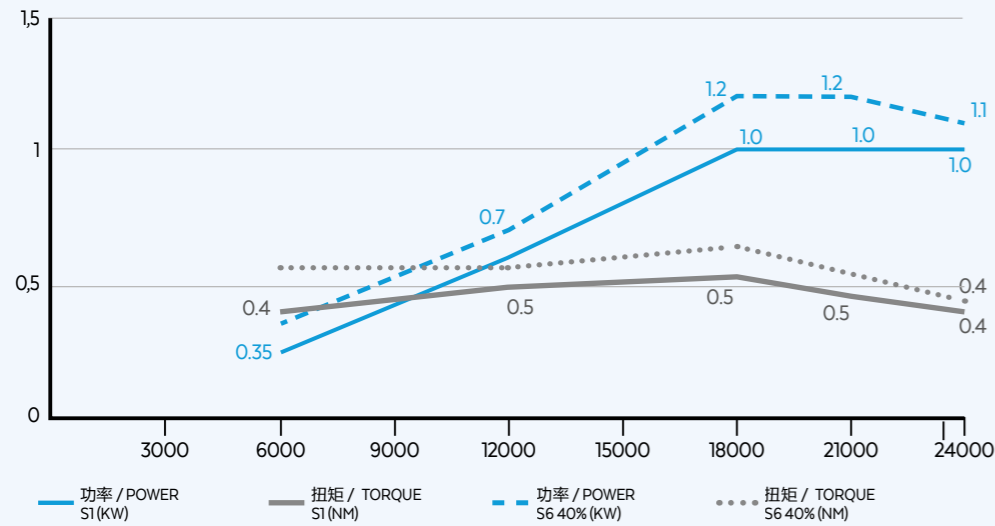
- Shaft D16
- Cooling by shaft-driven fan
- Manual tool change (M.T.C)
- Steel bearings
- Grease lubrication

LAYOUT ER20 DX BT - 1 KW



XS-11/18 24

性能 / PERFORMANCES

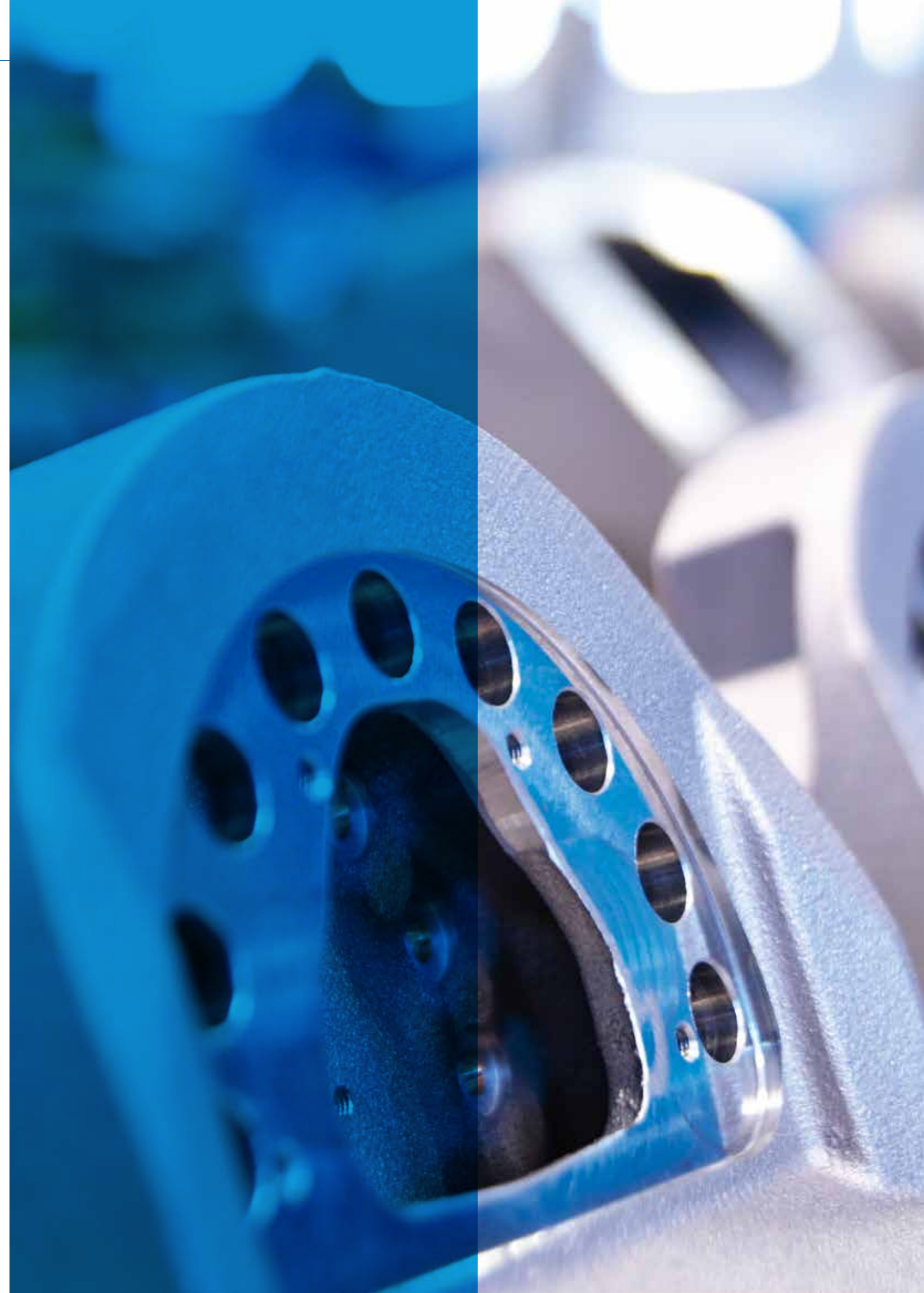


技术规格 / TECHNICAL SPECIFICATIONS

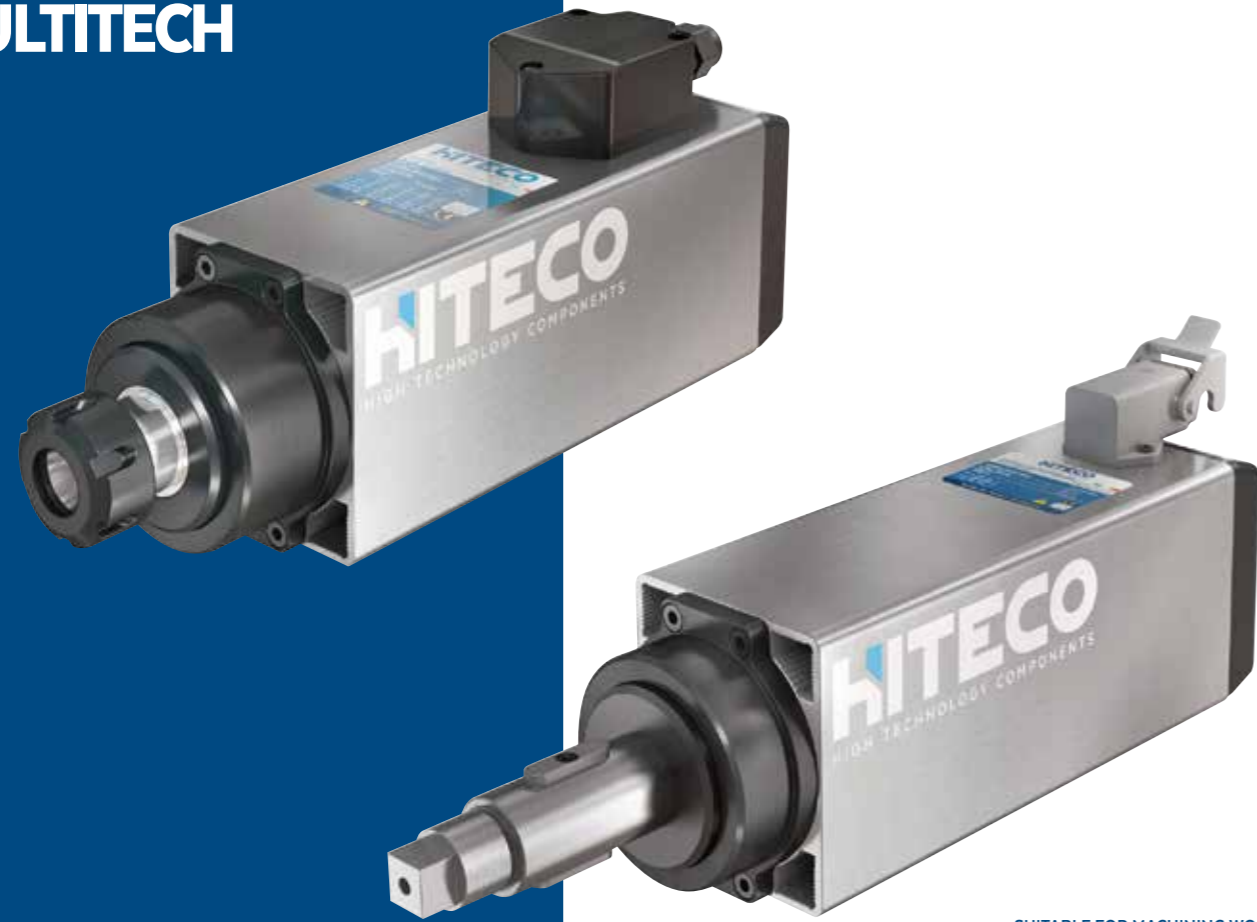
kW 1/1.2	A 3/3.5	Pol es 2
Nm 0.5/0.6	Volt 220/380	Supply inverter
rpm 24000	kg 3	

器材 / EQUIPMENT

ER 20DX	Cooling by shaft-driven fan	Manual tool change (M.T.C)
Steel bearings	Grease lubrication	

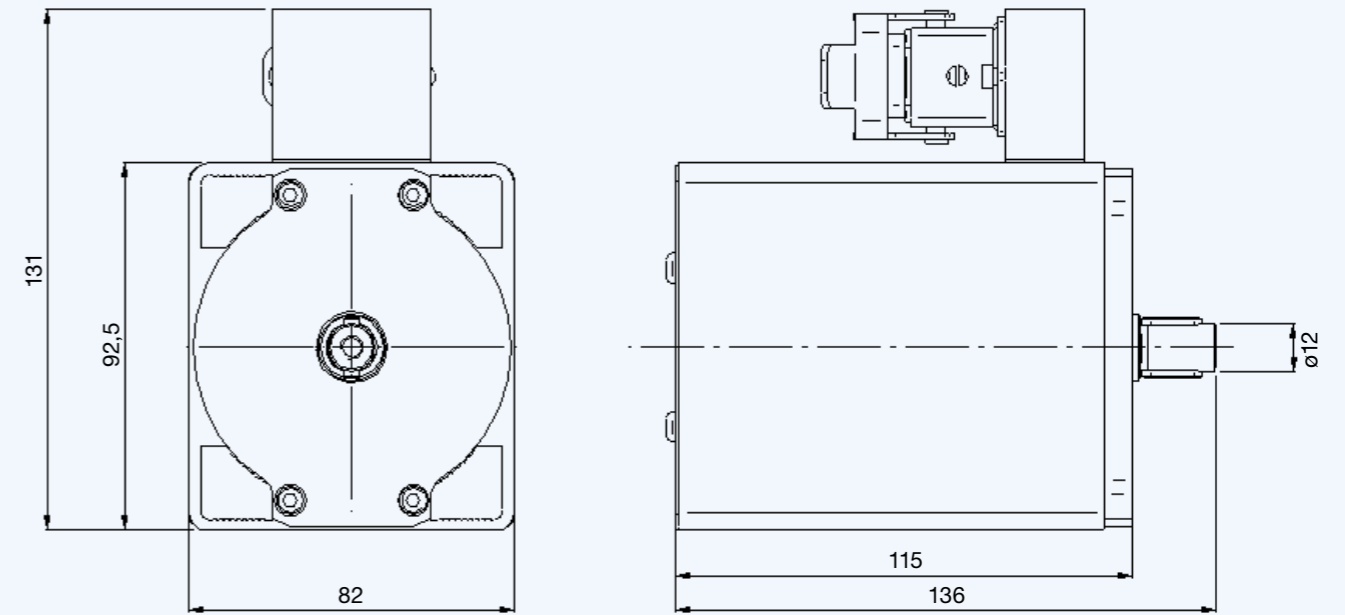


MULTITECH
S



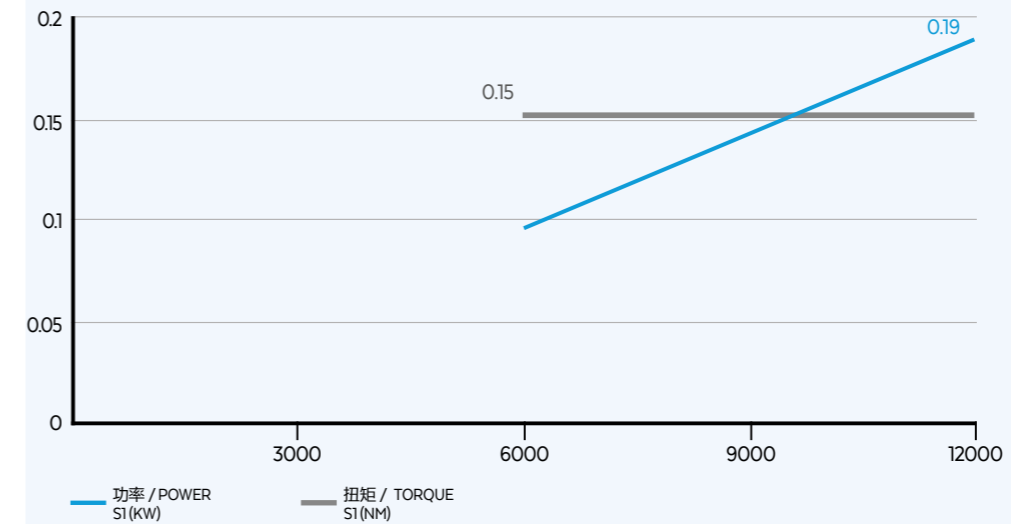
SUITABLE FOR MACHINING WOOD
EFFICIENT COOLING AND LOW NOISE LEVEL
SHAFT ROTATION SENSOR

LAYOUT D12 L 19 - 0.19 KW



S-1 0.19/12 12

性能 / PERFORMANCES



技术规格 / TECHNICAL SPECIFICATIONS

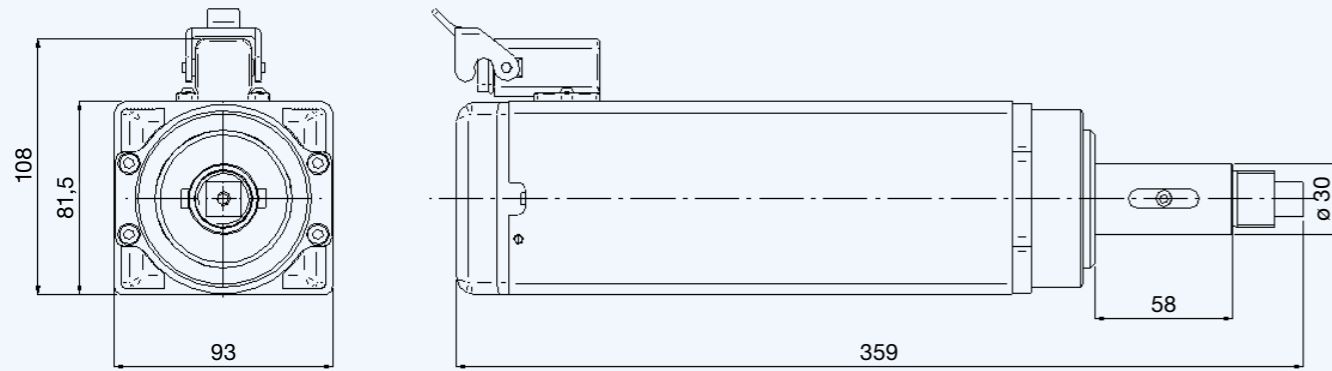
SI kW 0.19	SI A 1.4	Pol es 2
SI Nm 0.15	Volt 220	Supply inverter
rpm 12000	kg 2	

器材 / EQUIPMENT

- Shaft D12
- Cooling by shaft-driven fan
- Manual tool change (M.T.C)
- Steel bearings
- Grease lubrication

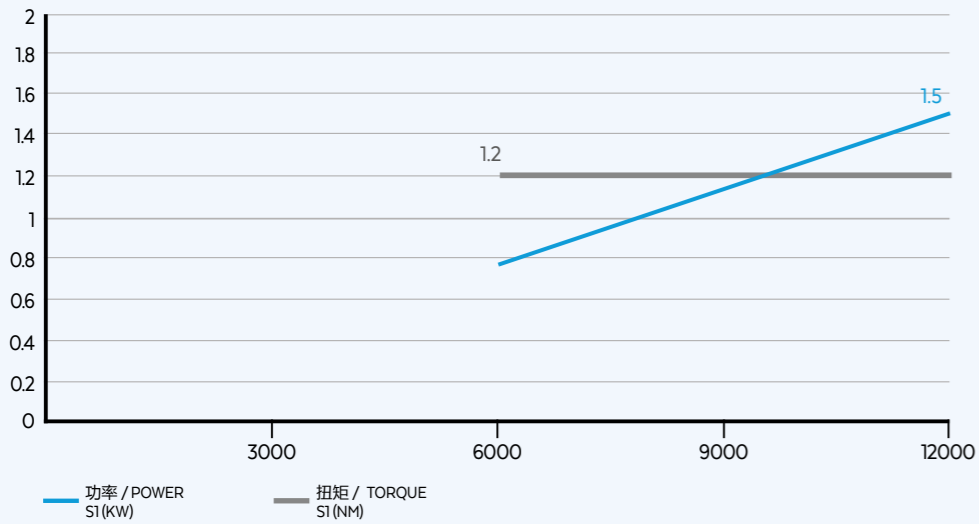


LAYOUT D30 L58 - 1.5 KW



S-11.5/12 12

性能 / PERFORMANCES



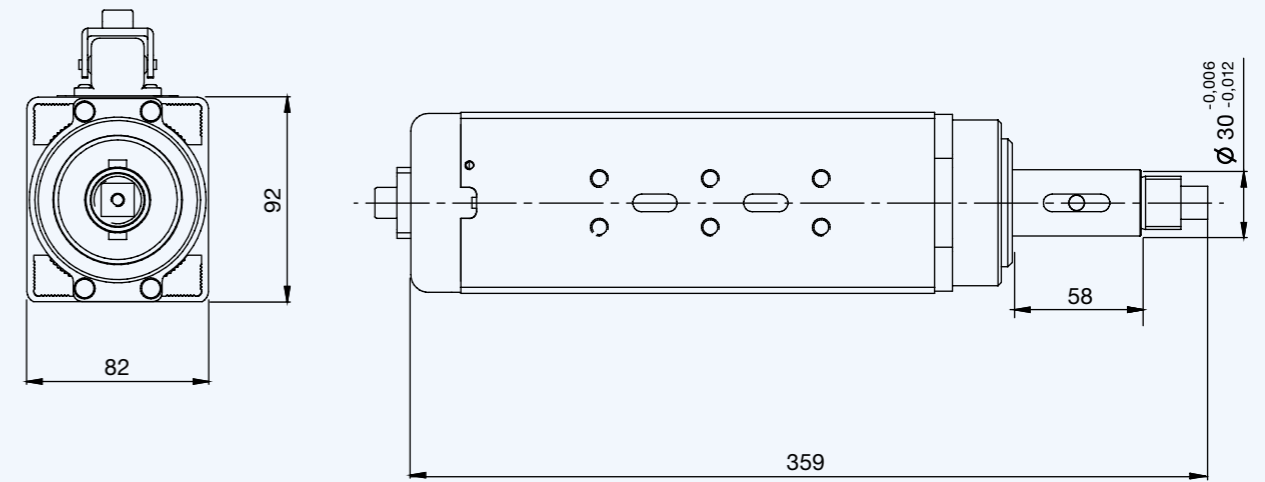
技术规格 / TECHNICAL SPECIFICATIONS

S1 kW 1.5	S1 A 5.7	Pol es 2
S1 Nm 1.2	Volt 220	Supply inverter
rpm 12000	kg 8	

器材 / EQUIPMENT

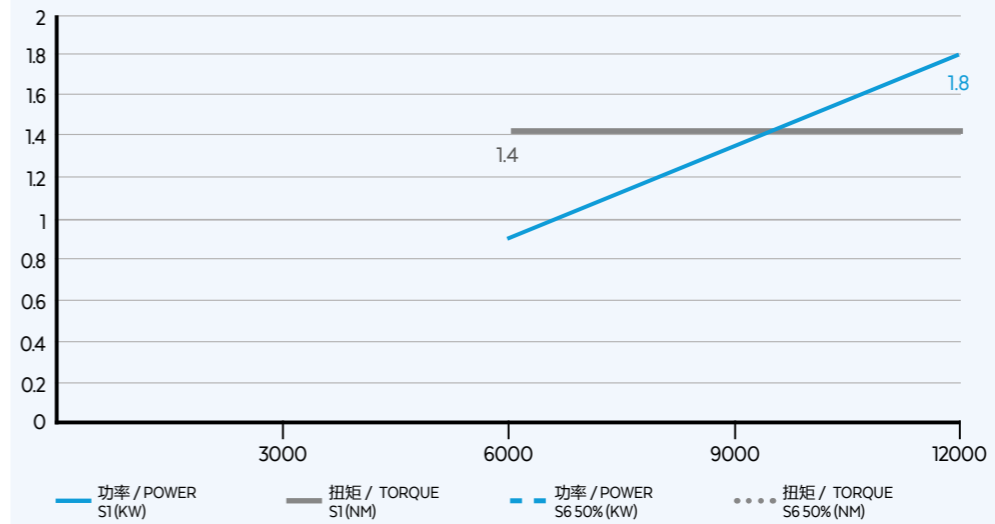
Shaft D30	Cooling by shaft-driven fan	Manual tool change (M.T.C)
Steel bearings	Grease lubrication	

LAYOUT D30 L58 - 1.8 KW



S-11.8/12 12

性能 / PERFORMANCES



技术规格 / TECHNICAL SPECIFICATIONS

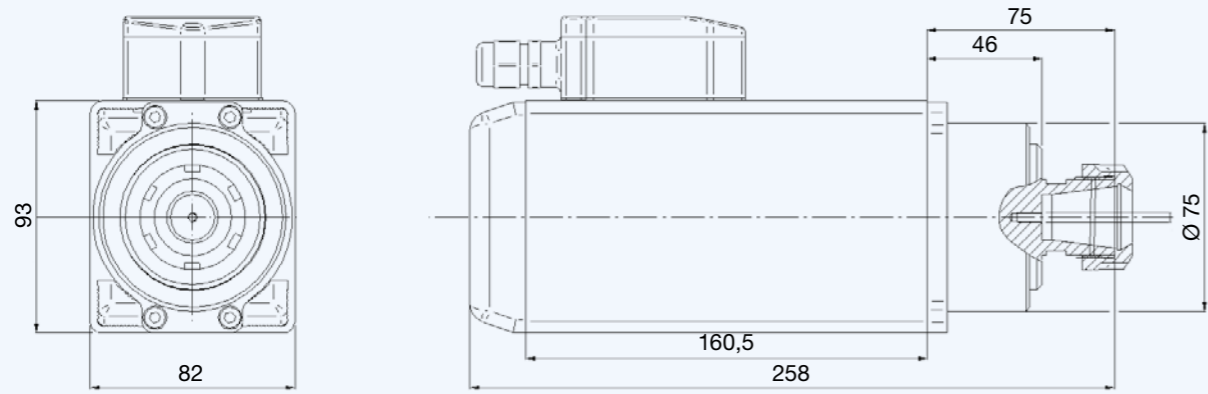
S1 kW 1.8	S1 A 6.5	Pol es 2
S1 Nm 1.4	Volt 220	Supply inverter
rpm 12000	kg 8	

器材 / EQUIPMENT

Shaft D30	Cooling by shaft-driven fan	Manual tool change (M.T.C)
Ceramic ball bearings	Grease lubrication	

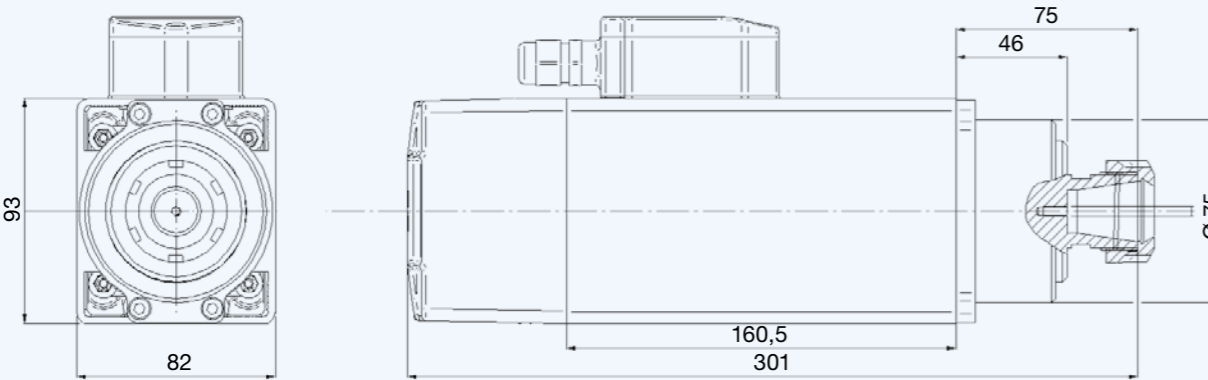
LAYOUT ER25 DX BT

COOLING BY SHAFT-DRIVEN FAN



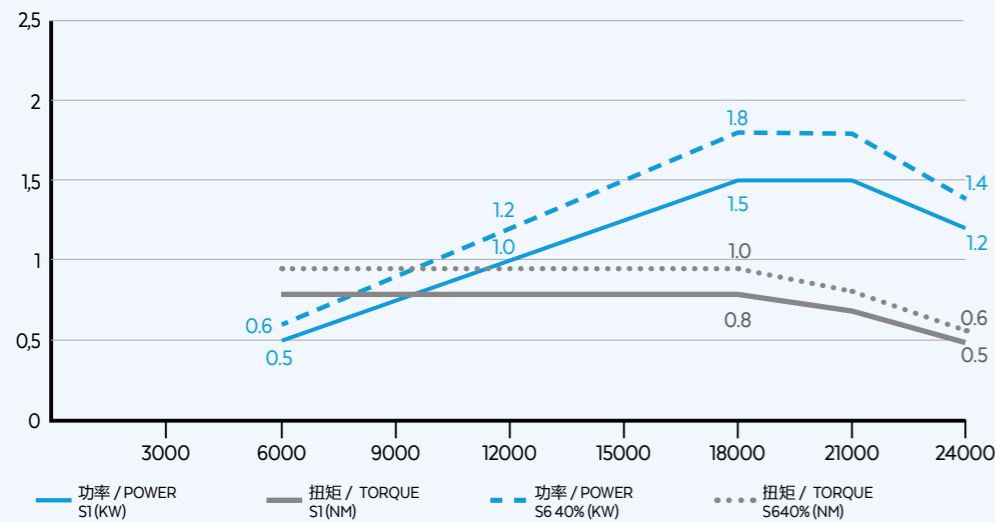
LAYOUT ER25 DX BT

ELECTROFAN COOLING



S-11.5/18 24

性能 / PERFORMANCES



选配 / OPTIONS



技术规格 / TECHNICAL SPECIFICATIONS

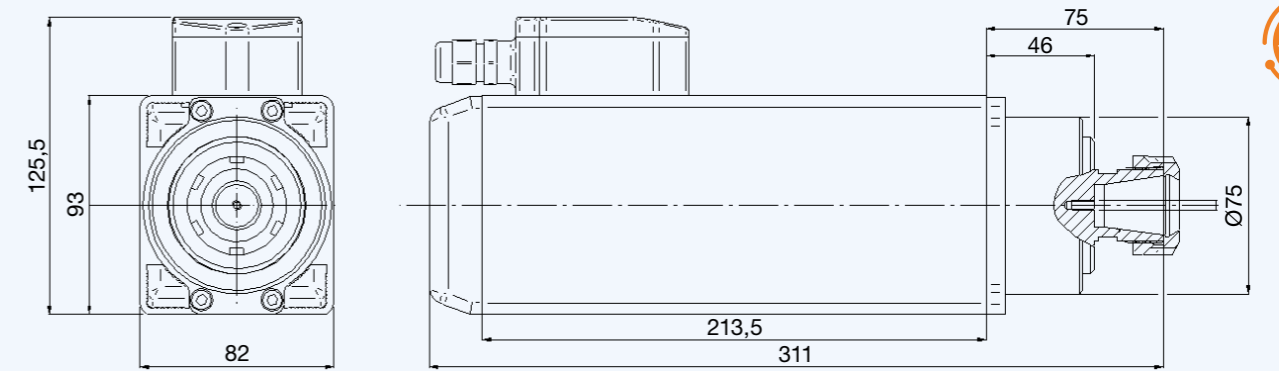
S1-S6 kW 1.5/1.8	S1-S6 A 3.5/4.0	Pol es 2
S1-S6 Nm 0.8/1.0	Volt 220/380	Sup ply inverter
rpm 24000	kg 8	

器材 / EQUIPMENT



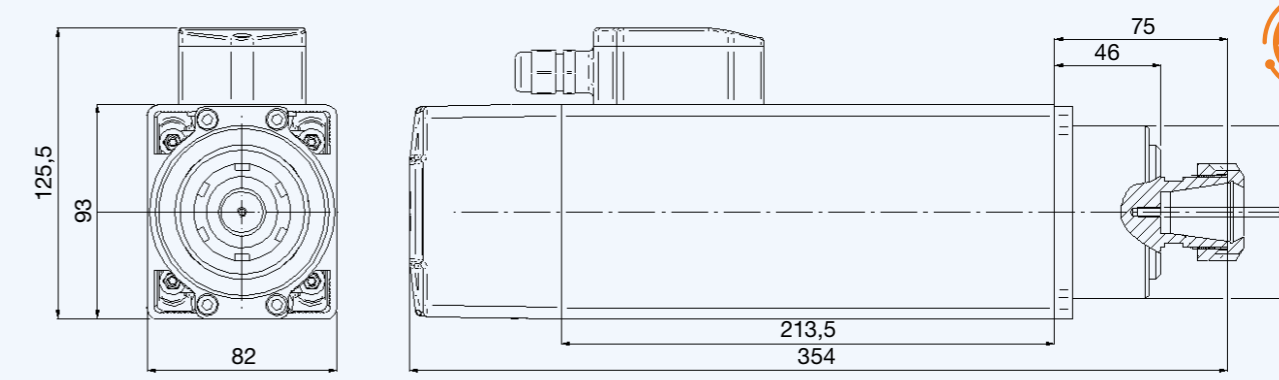
LAYOUT ER25 DX BT

COOLING BY SHAFT-DRIVEN FAN



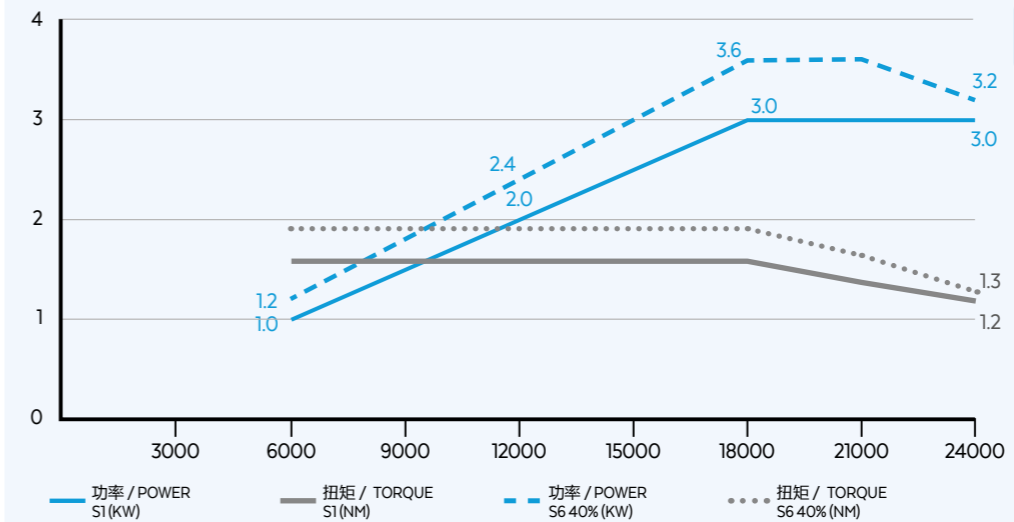
LAYOUT ER25 DX BT

ELECTROFAN COOLING



S-13/18 24

性能 / PERFORMANCES



选配 / OPTIONS



技术规格 / TECHNICAL SPECIFICATIONS

S1-S6 kW 3/3.6	S1-S6 A 6.5/7	Pol es 2
S1-S6 Nm 1.6/1.9	Volt 220/380	Sup ply inverter
rpm 24000	kg 8.5	

器材 / EQUIPMENT

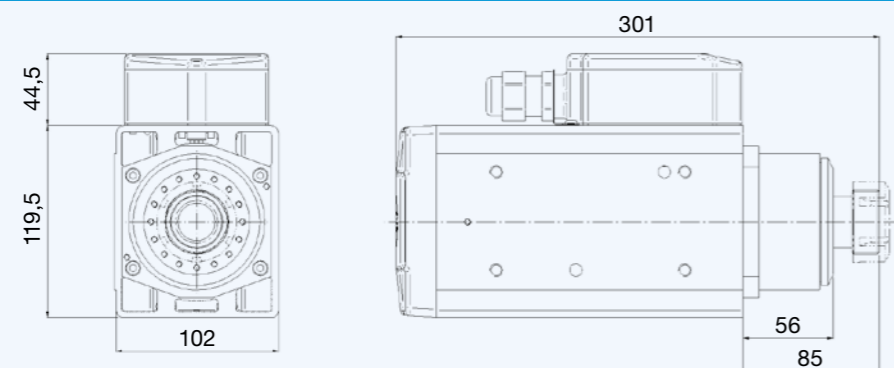


MULTITECH QN



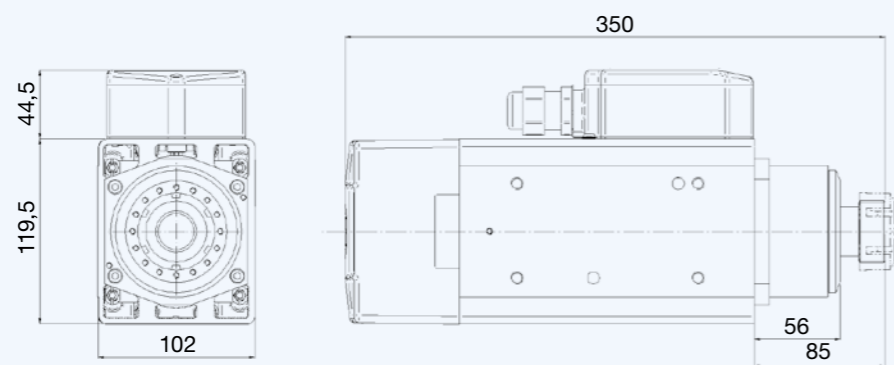
SUITABLE FOR MACHINING WOOD AND ALUMINUM
 AVAILABLE WITH ELECTROFAN, COMPRESSED AIR AND SHAFT-POWERED FAN COOLING
 AVAILABLE WITH CERAMIC BEARINGS AVAILABLE WITH ER 32 AND HSK 40C

LAYOUT ER 32 DX



COOLING BY SHAFT - DRIVEN FAN

LAYOUT ER 32 DX



ELECTROFAN COOLING

ALTRI LAYOUT / OTHER LAYOUTS

L tot

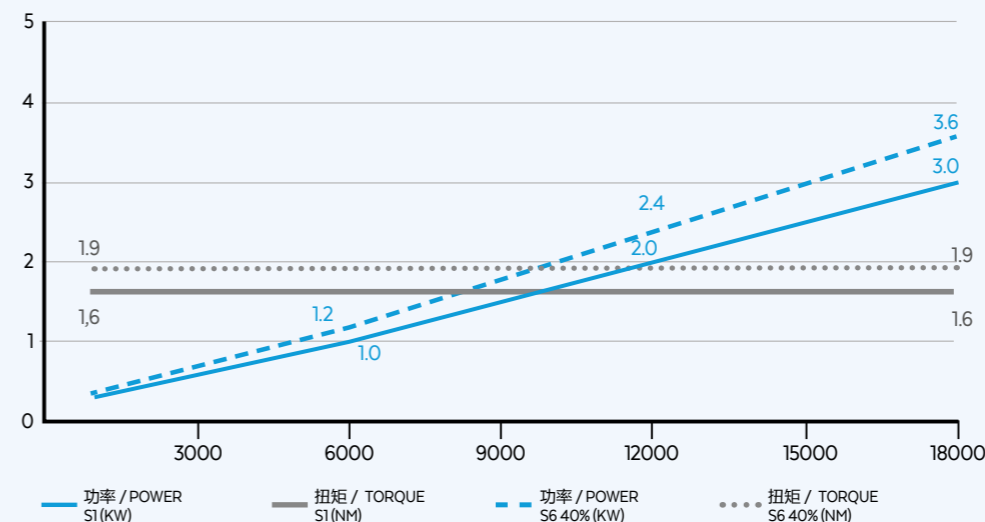
压缩空气 / Compressed air

306 mm

QN-1 3/18 18 BT

COOLING BY SHAFT-DRIVEN FAN

性能 / PERFORMANCES



选配 / OPTIONS

- COM-PRESSED AIR Compressed air cooling
- Electrofan cooling

技术规格 / TECHNICAL SPECIFICATIONS

- S1-S6 kW 3/3.6
- S1-S6 A 8/8.5
- Pol es 2
- S1-S6 Nm 1.6/1.9
- Volt 220/380
- Supply inverter
- rpm 18000
- kg 14

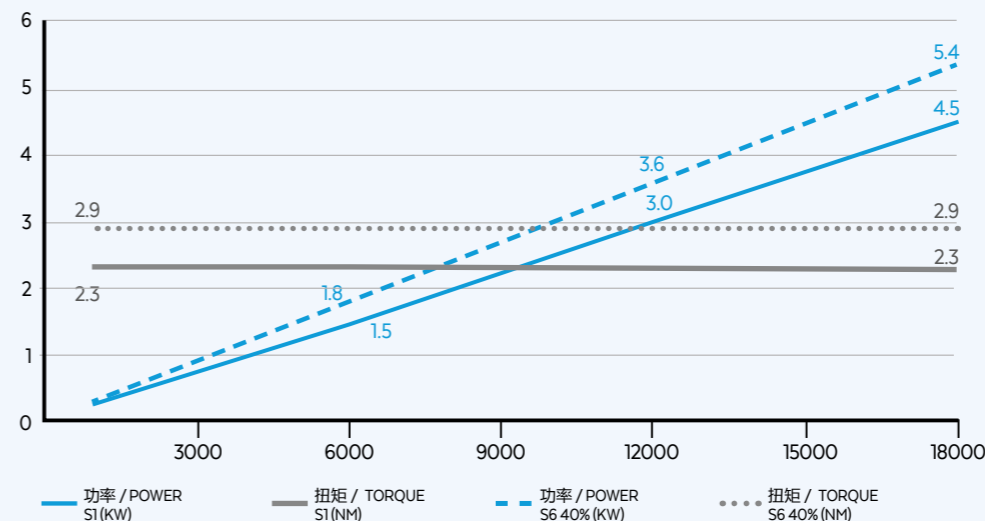
器材 / EQUIPMENT

- ER32DX
- Cooling by shaft-driven fan
- Manual tool change (M.T.C)
- Grease lubrication
- Steel bearings

QN-1 4.5/18 18 BT

COOLING BY SHAFT-DRIVEN FAN

性能 / PERFORMANCES



选配 / OPTIONS

- COM-PRESSED AIR Compressed air cooling
- Electrofan cooling

技术规格 / TECHNICAL SPECIFICATIONS

- S1-S6 kW 4.5/5.4
- S1-S6 A 9.5/15
- Pol es 2
- S1-S6 Nm 2.3/2.9
- Volt 220/380
- Supply inverter
- rpm 18000
- kg 14

器材 / EQUIPMENT

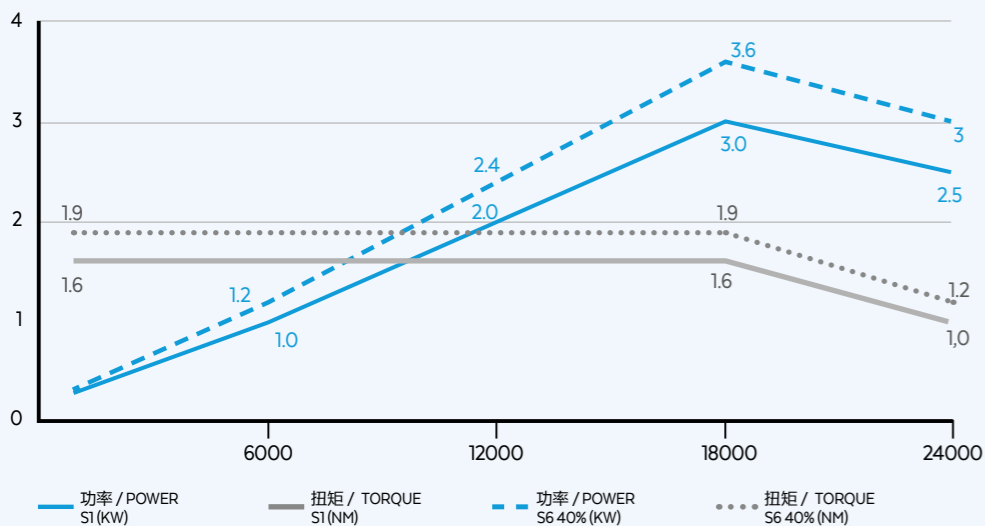
- ER32DX
- Cooling by shaft-driven fan
- Manual tool change (M.T.C)
- Grease lubrication
- Steel bearings

QN-IF 3/18 24 BT

ELECTROFAN COOLING

性能 / PERFORMANCES

选配 / OPTIONS



技术规格 / TECHNICAL SPECIFICATIONS

器材 / EQUIPMENT

SI-S6 kW 3/3.6
SI-S6 Nm 1.6/1.9
rpm 24000
SI-S6 A 8/9
Volt 220/380
kg 14
Pol es 2
Supply inverter

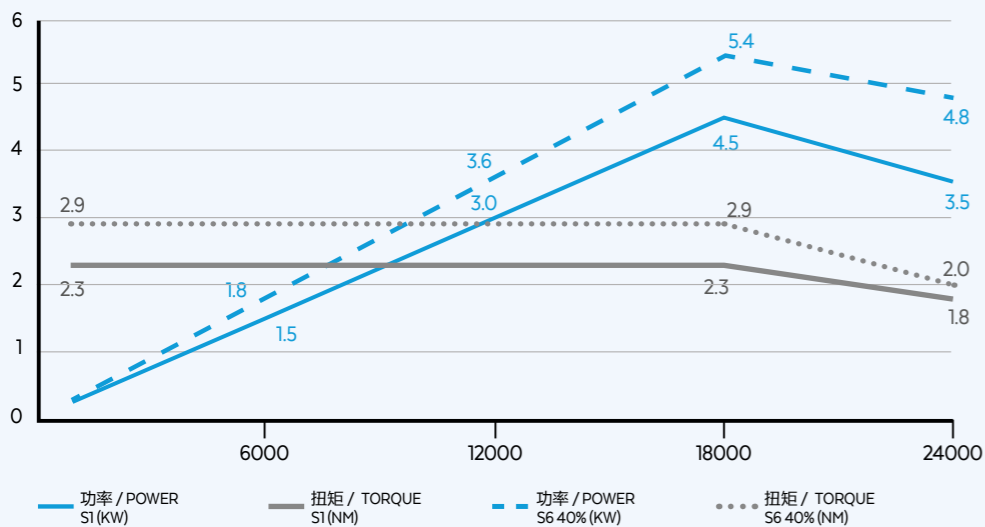
ER32DX
Electrofan cooling
Manual tool change (M.T.C)
Grease lubrication
Ceramic ball bearings

QN-IF 4.5/18 24 BT

ELECTROFAN COOLING

性能 / PERFORMANCES

选配 / OPTIONS



技术规格 / TECHNICAL SPECIFICATIONS

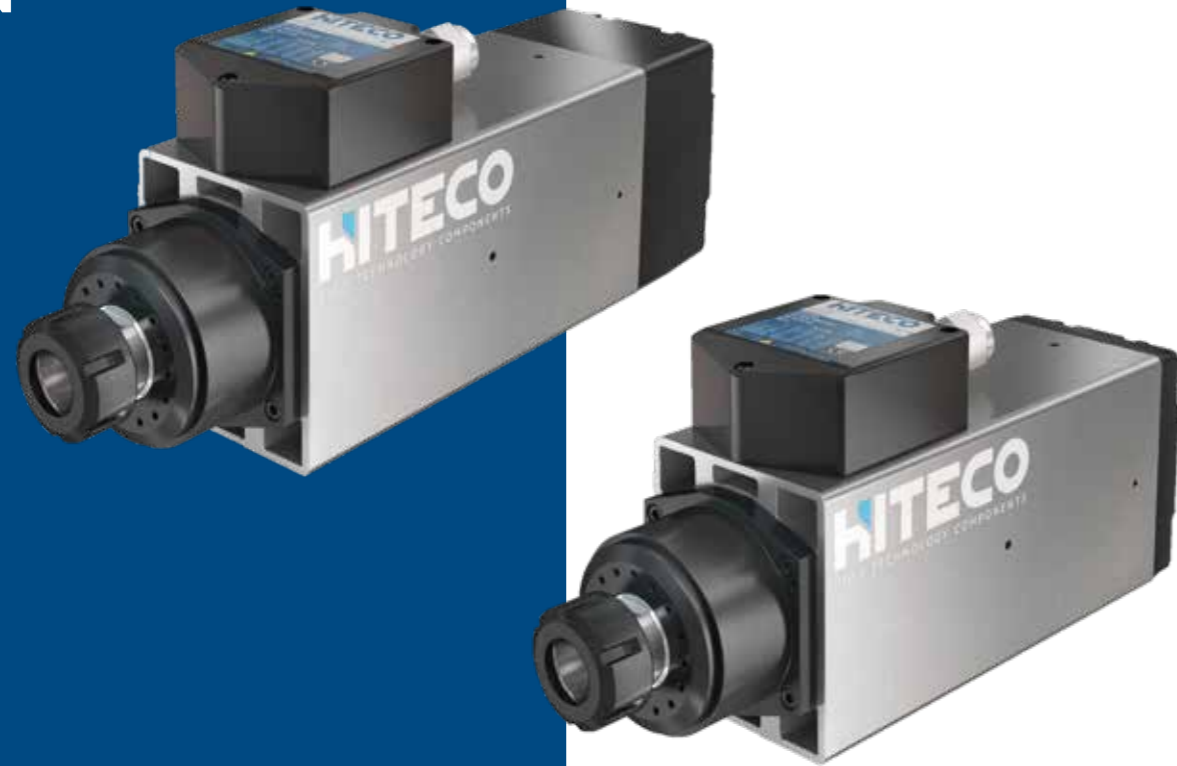
器材 / EQUIPMENT

SI-S6 kW 4.5/5.4
SI-S6 Nm 2.3/2.9
rpm 24000
SI-S6 A 10/15
Volt 220/380
kg 14
Pol es 2
Supply inverter

ER32DX
Electrofan cooling
Manual tool change (M.T.C)
Grease lubrication
Ceramic ball bearings



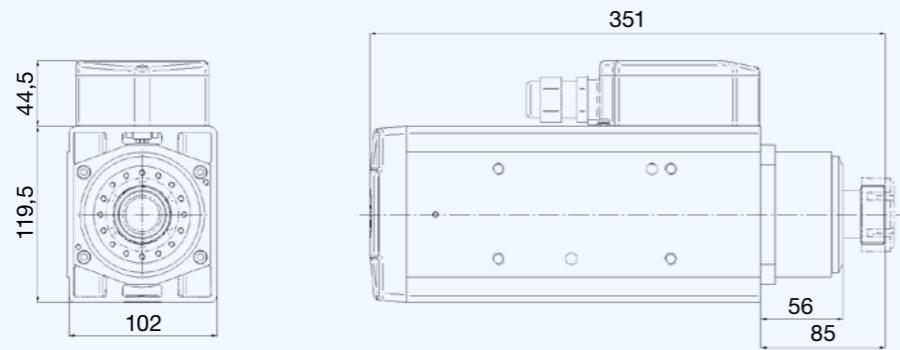
MULTITECH QN



SUITABLE FOR MACHINING WOOD AND ALUMINUM
AVAILABLE WITH ELECTROFAN, COMPRESSED AIR AND SHAFT-POWERED FAN COOLING
AVAILABLE WITH CERAMIC BEARINGS AVAILABLE WITH ER 32 AND HSK 40C

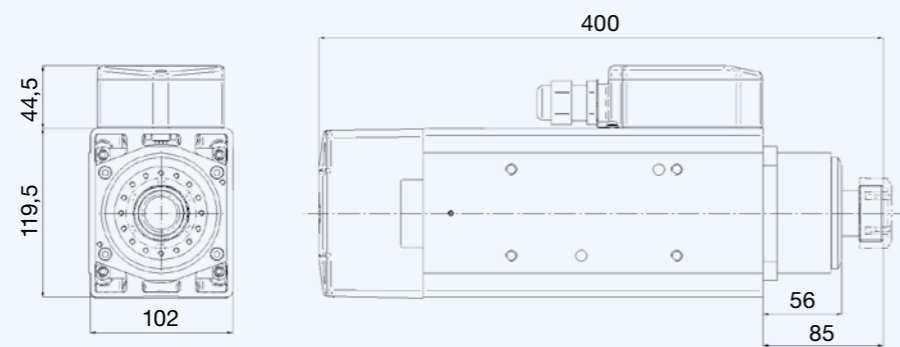
LAYOUT ER 32 DX

COOLING BY SHAFT - DRIVEN FAN



LAYOUT ER 32 DX

ELECTROFAN COOLING



L tot

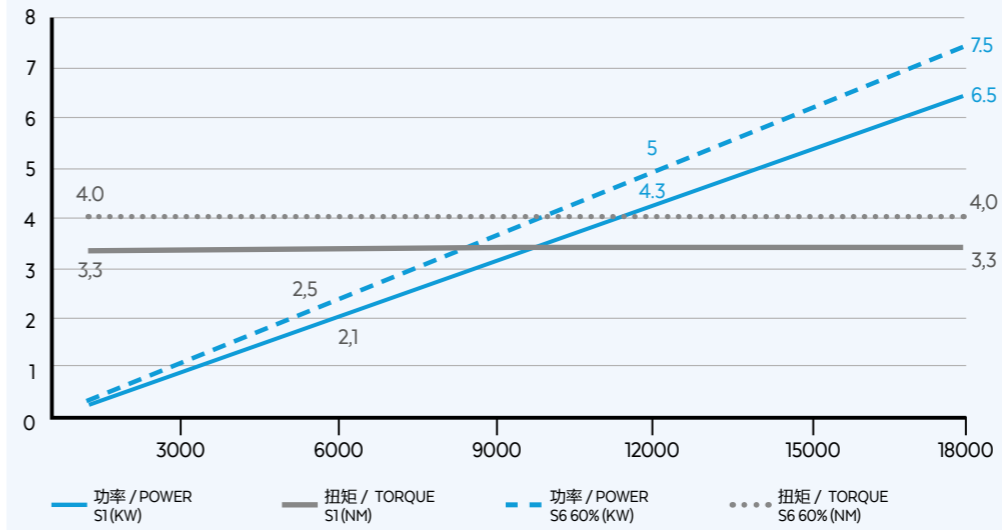
356 mm

压缩空气 / Compressed air

QN-1 6.5/18 18 BT

COOLING BY SHAFT-DRIVEN FAN

性能 / PERFORMANCES



选配 / OPTIONS

- HSK 40C
- Compressed air cooling
- Electrofan cooling



技术规格 / TECHNICAL SPECIFICATIONS

- Power: 6.5/7.5 kW
- Current: 13/15 A
- Speed: 18000 rpm
- Voltage: 220/380 Volt
- Weight: 14 kg
- Supply: inverter

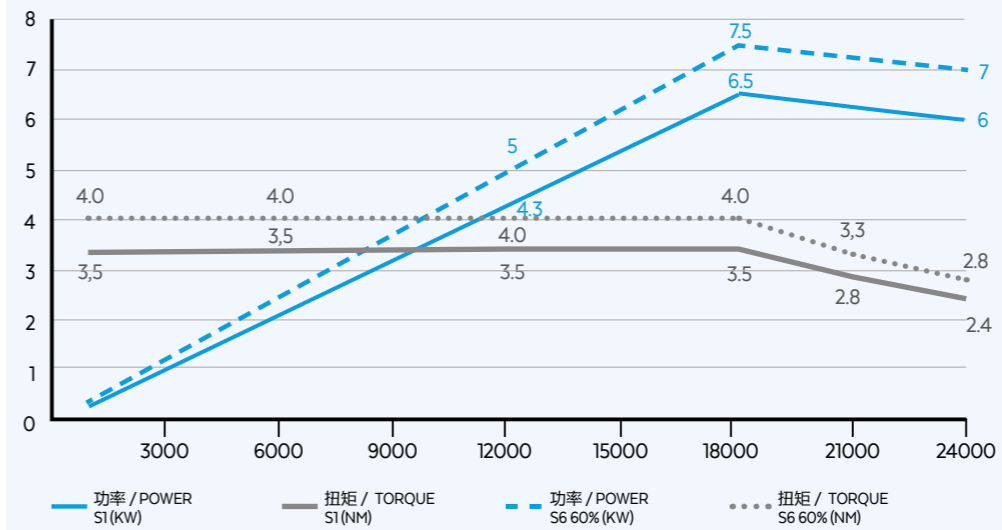
器材 / EQUIPMENT

- ER32DX
- cooling by shaft-driven fan
- Manual tool change (M.T.C)
- Grease lubrication
- Steel bearings

QN-1F 6.5/18 24 BT

ELECTROFAN COOLING

性能 / PERFORMANCES



选配 / OPTIONS

- HSK 40C
- Compressed air cooling



技术规格 / TECHNICAL SPECIFICATIONS

- Power: 6.5/7.5 kW
- Current: 13/15 A
- Speed: 24000 rpm
- Voltage: 220/380 Volt
- Weight: 14 kg
- Supply: inverter

器材 / EQUIPMENT

- ER32DX
- Electrofan cooling
- Manual tool change (M.T.C)
- Grease lubrication
- Ceramic ball bearings

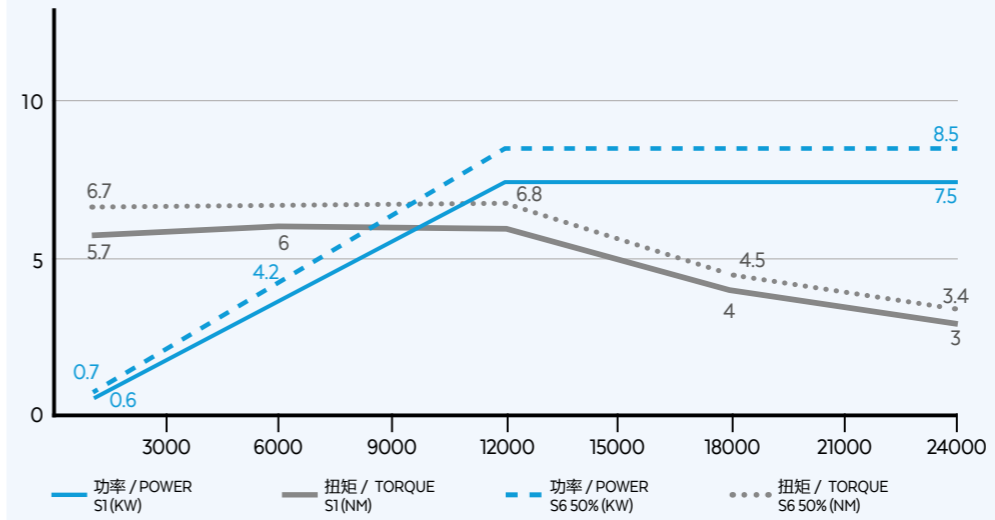
MULTITECH MA



SUITABLE FOR MACHINING LATEST MATERIALS IN DUST ENVIRONMENTS
EASY ASSEMBLING ON BIROTARY HEADS
VERY EFFICIENT COMPRESSED AIR COOLING
AVAILABLE WITH ER 32

MA-1C 7.5/12 24

性能 / PERFORMANCES



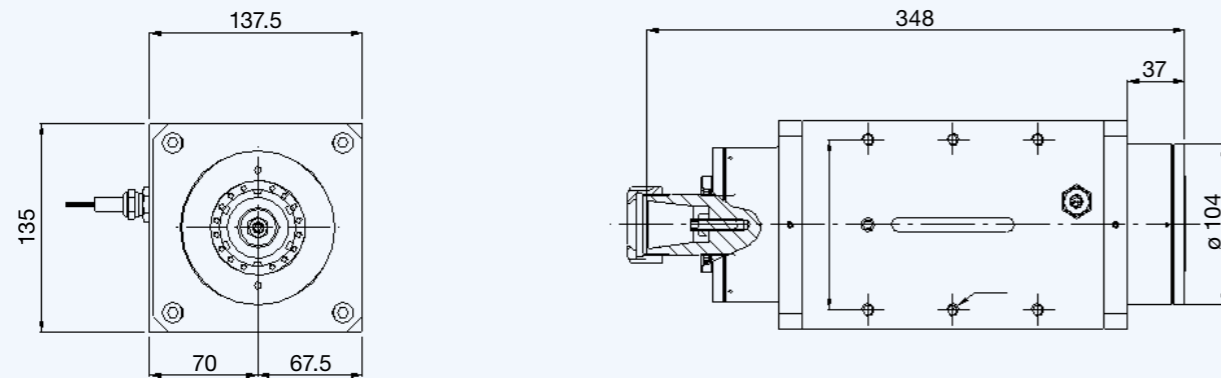
技术规格 / TECHNICAL SPECIFICATIONS

器材 / EQUIPMENT

S1-S6 kW 7.5/8.5	S1-S6 A 16/17	Pol es 4	ER 32DX/SX Compressed air cooling	Manual tool change (M.T.C)	Grease lubrication
S1-S6 Nm 6/6.8	Volt 380	Supply inverter	Ceramic ball bearings	Labyrinth with air seal	
rpm 24000	kg 22				

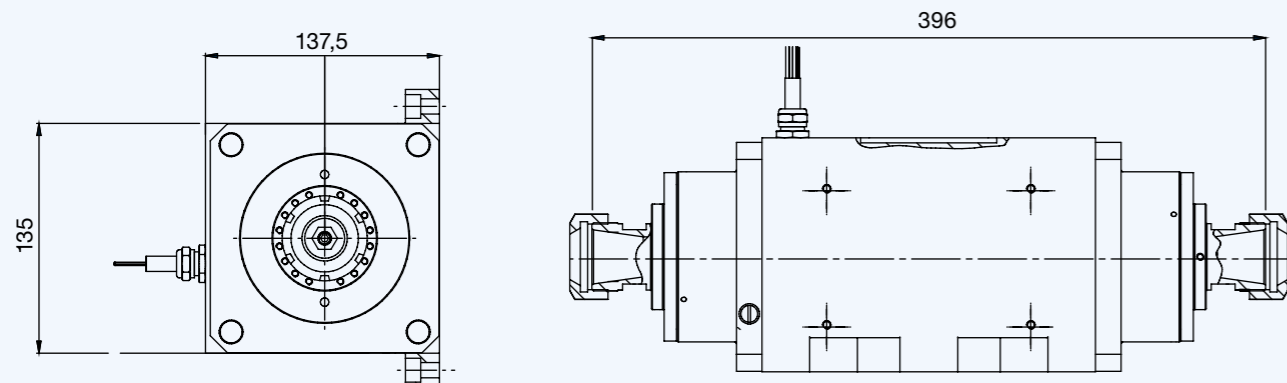
LAYOUT ER32 DX

1 END



LAYOUT ER32 DX-SX

2 ENDS



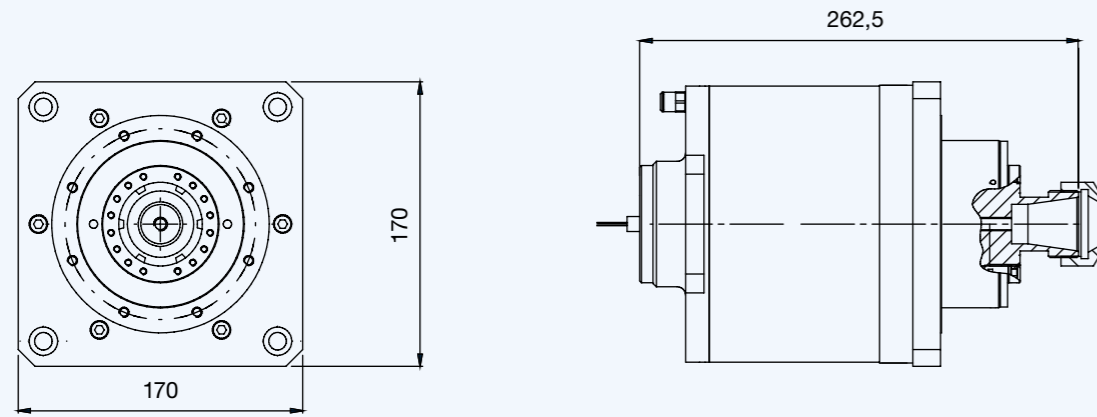
MULTITECH ML

SUITABLE FOR MACHINING LATEST MATERIALS IN DUST ENVIRONMENTS
EASY ASSEMBLING ON BIROTARY HEADS
VERY EFFICIENT COMPRESSED AIR COOLING
AVAILABLE WITH ER 32 AND ER 40



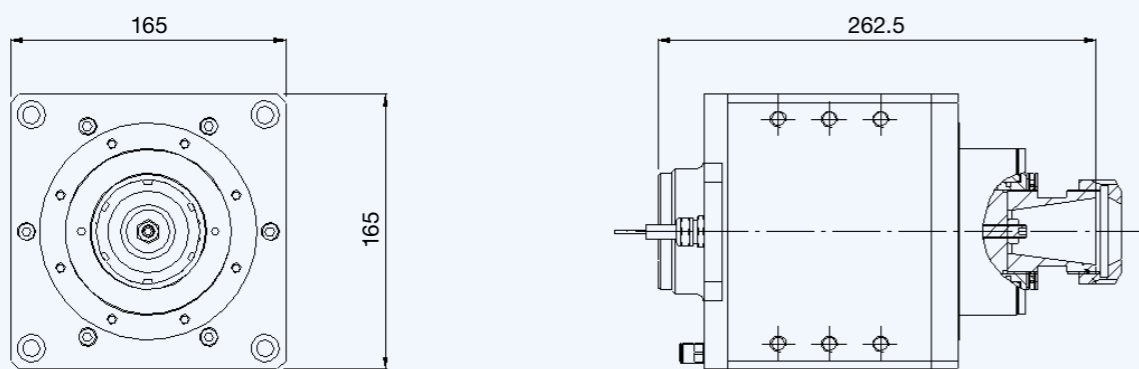
LAYOUT ER32 DX

1 END



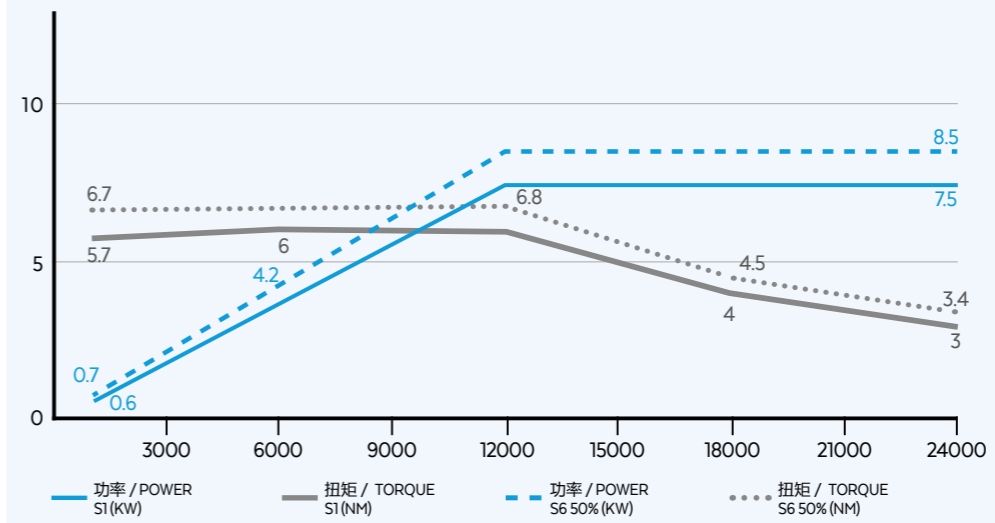
LAYOUT ER32 DX

1 END



ML-1C 7.5/12 24

性能 / PERFORMANCES



选配 / OPTIONS



技术规格 / TECHNICAL SPECIFICATIONS

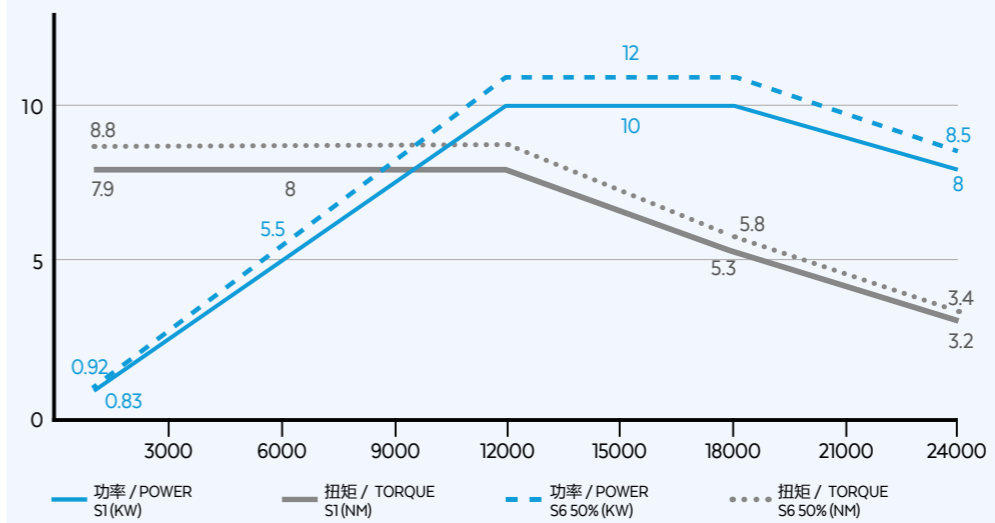
S1-S6 kW 7.5/8.5	S1-S6 A 16/17	Pol es 4
S1-S6 Nm 6/6.8	Volt 380	Supply inverter
rpm 24000	kg 22	

器材 / EQUIPMENT

ER 32 DX	Compressed air cooling	Manual tool change (M.T.C)	Grease lubrication
Ceramic ball bearings	Labyrinth with air seal		

ML-1C 10/12 24

性能 / PERFORMANCES



选配 / OPTIONS



技术规格 / TECHNICAL SPECIFICATIONS

S1-S6 kW 10/12	S1-S6 A 21.3/22	Pol es 4
S1-S6 Nm 8/8.8	Volt 380	Supply inverter
rpm 24000	kg 22	

器材 / EQUIPMENT

ER 32 DX	Compressed air cooling	Manual tool change (M.T.C)	Grease lubrication
Ceramic ball bearings	Labyrinth with air seal		

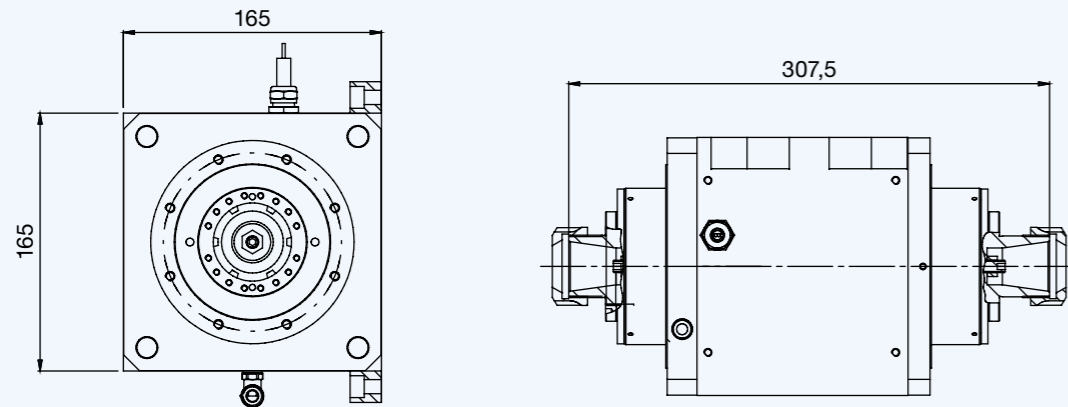
MULTITECH ML

SUITABLE FOR MACHINING LATEST MATERIALS IN DUST ENVIRONMENTS
EASY ASSEMBLING ON BIROTARY HEADS
VERY EFFICIENT COMPRESSED AIR COOLING
AVAILABLE WITH ER 32 AND ER 40



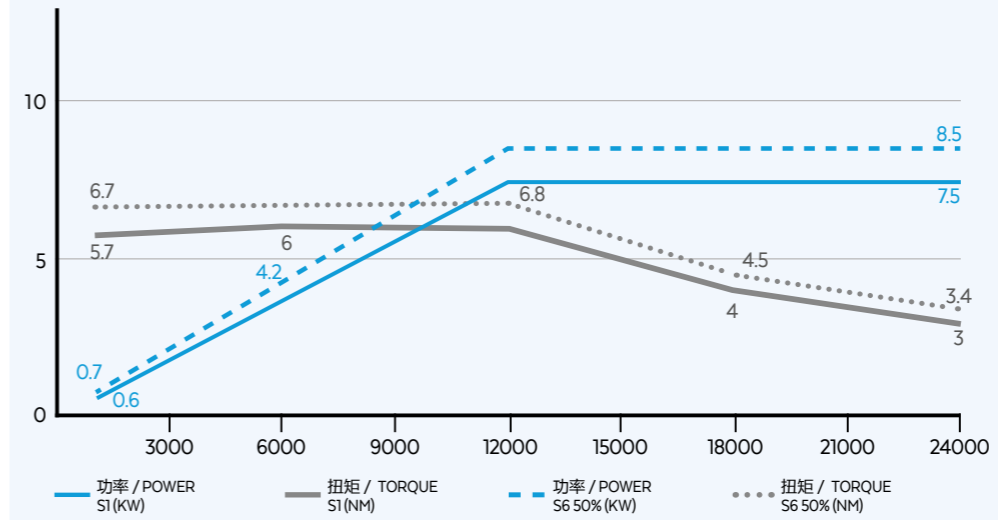
LAYOUT ER 40 DX-SX

2 ENDS



ML-1C 7.5/12 24

性能 / PERFORMANCES



选配 / OPTIONS



技术规格 / TECHNICAL SPECIFICATIONS

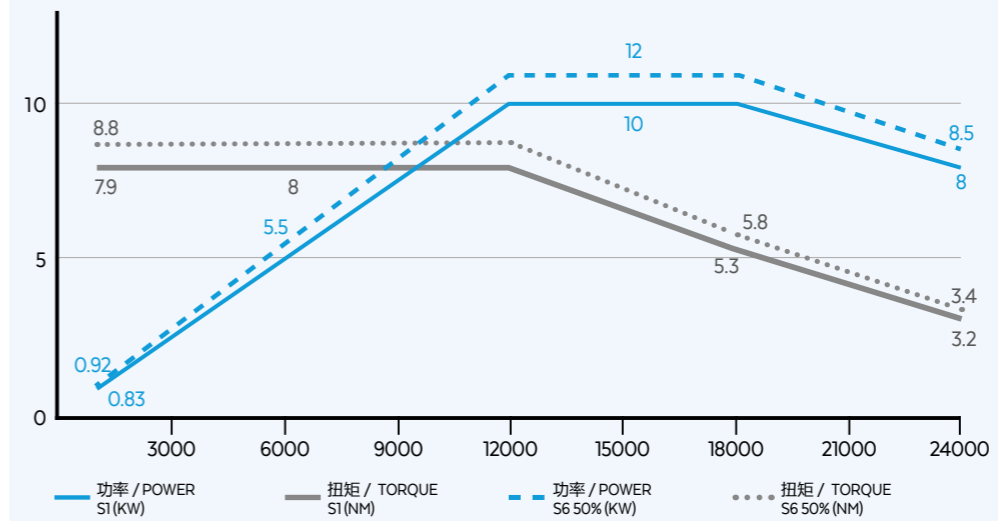
S1-S6 kW 7.5/8.5
S1-S6 Nm 6/6.8
rpm 24000
S1-S6 A 16/17
Volt 380
kg 22
Pol es 4
Supply inverter

器材 / EQUIPMENT

ER 32 DX-SX
COMPRESSED AIR Compressed air cooling
Manual tool change (M.T.C)
Grease lubrication
Ceramic ball bearings
Labyrinth with air seal

ML-1C 10/12 24

性能 / PERFORMANCES



选配 / OPTIONS



技术规格 / TECHNICAL SPECIFICATIONS

S1-S6 kW 10/12
S1-S6 Nm 8/8.8
rpm 24000
S1-S6 A 21.3/22
Volt 380
kg 22
Pol es 4
Supply inverter

器材 / EQUIPMENT

ER 32 DX-SX
COMPRESSED AIR Compressed air cooling
Manual tool change (M.T.C)
Grease lubrication
Ceramic ball bearings
Labyrinth with air seal

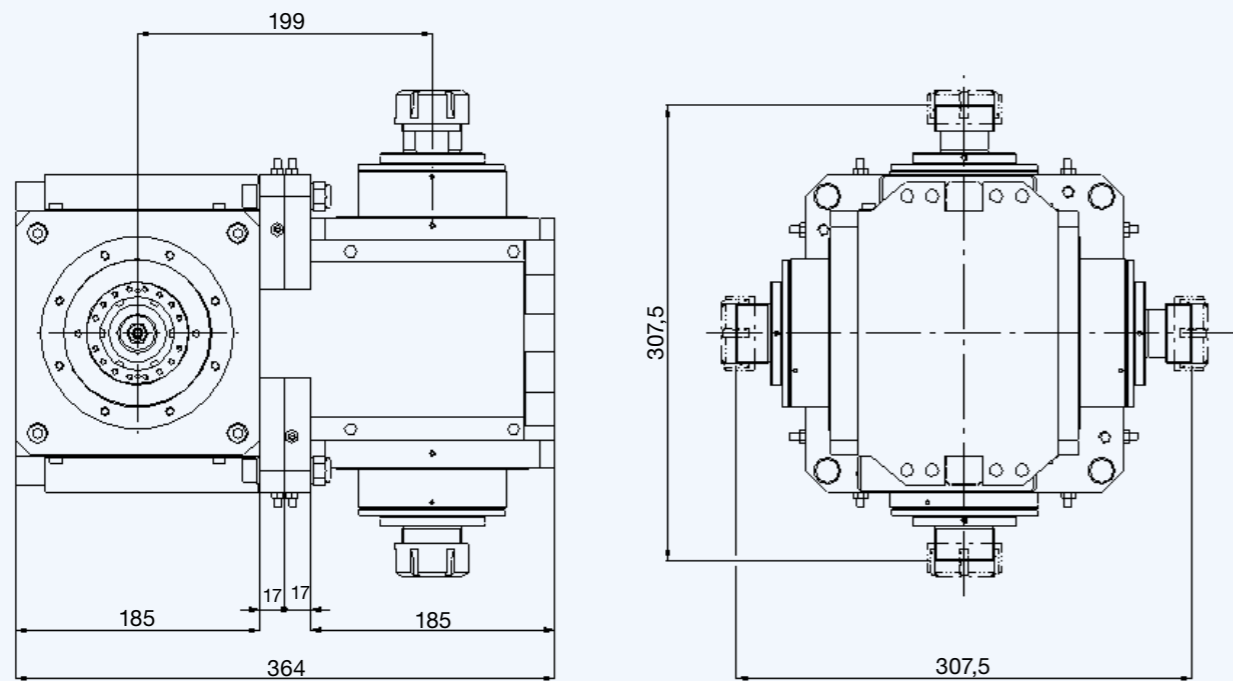
MULTITECH ML

SUITABLE FOR MACHINING LATEST MATERIALS IN DUST ENVIRONMENTS
EASY ASSEMBLING ON BIROTARY HEADS
VERY EFFICIENT COMPRESSED AIR COOLING
AVAILABLE WITH ER 32 AND ER 40



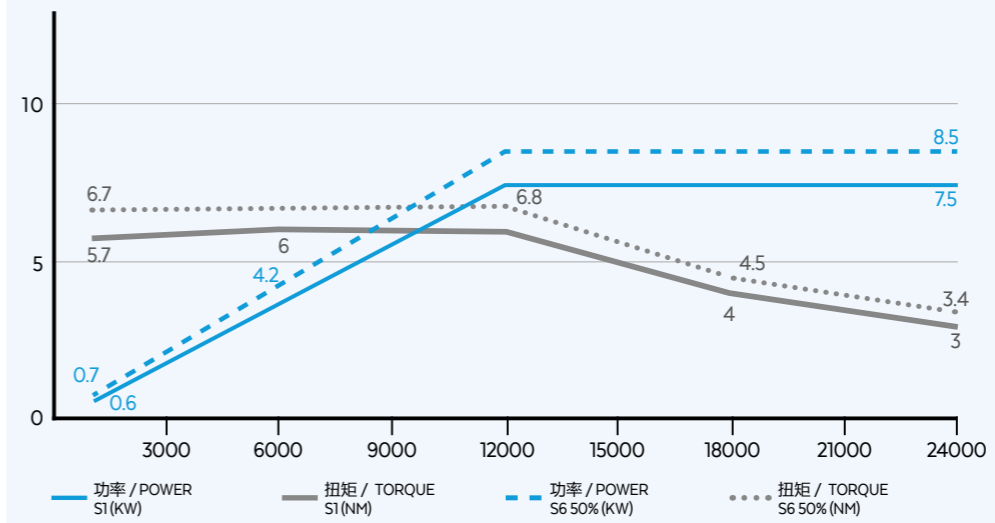
LAYOUT ER 32 DX-SX

2 ENDS



ML-1C 7.5/12 24

性能 / PERFORMANCES



选配 / OPTIONS



技术规格 / TECHNICAL SPECIFICATIONS

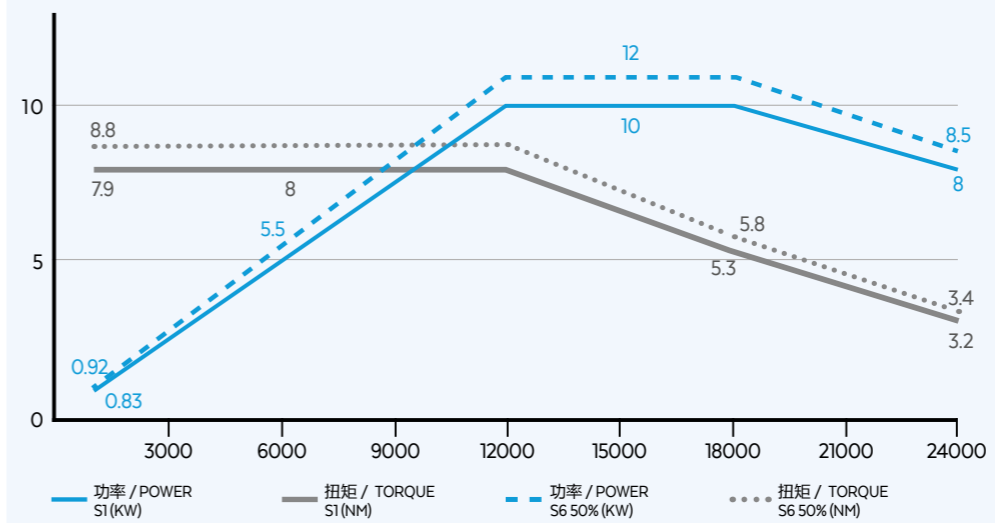
S1-S6 kW 7.5/8.5
S1-S6 Nm 6/6.8
rpm 24000
S1-S6 A 16/17
Volt 380
kg 22
Pol es 4
Supply inverter

器材 / EQUIPMENT

ER 32 DX-SX
COMPRESSED AIR Compressed air cooling
Manual tool change (M.T.C.)
Grease lubrication
Ceramic ball bearings
Labyrinth with air seal

ML-1C 10/12 24

性能 / PERFORMANCES



选配 / OPTIONS



技术规格 / TECHNICAL SPECIFICATIONS

S1-S6 kW 10/12
S1-S6 Nm 8/8.8
rpm 24000
S1-S6 A 21.3/22
Volt 380
kg 22
Pol es 4
Supply inverter

器材 / EQUIPMENT

ER 32 DX-SX
COMPRESSED AIR Compressed air cooling
Manual tool change (M.T.C.)
Grease lubrication
Ceramic ball bearings
Labyrinth with air seal

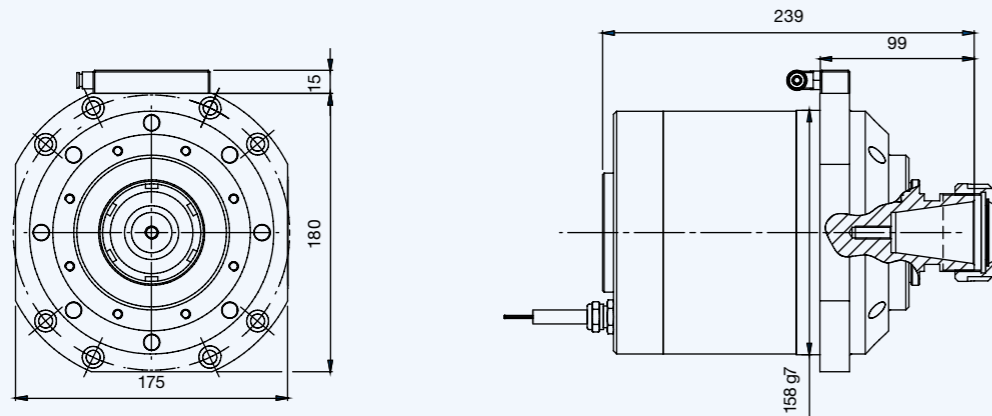
MULTITECH ML

SUITABLE FOR MACHINING LATEST MATERIALS IN DUST ENVIRONMENTS
EASY ASSEMBLING ON BIROTARY HEADS
AVAILABLE WITH LIQUID COOLING TO FOR HEAVY AND INTENSIVE PROCESSES
AVAILABLE WITH ER 32 AND ER 40



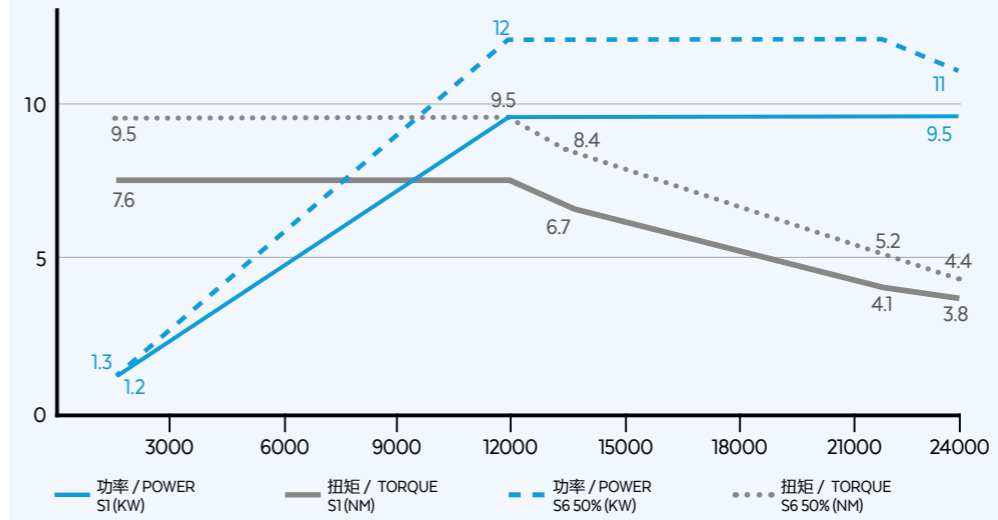
LAYOUT ER 40DX

1 END



ML-2 9.5/12 24

性能 / PERFORMANCES



技术规格 / TECHNICAL SPECIFICATIONS

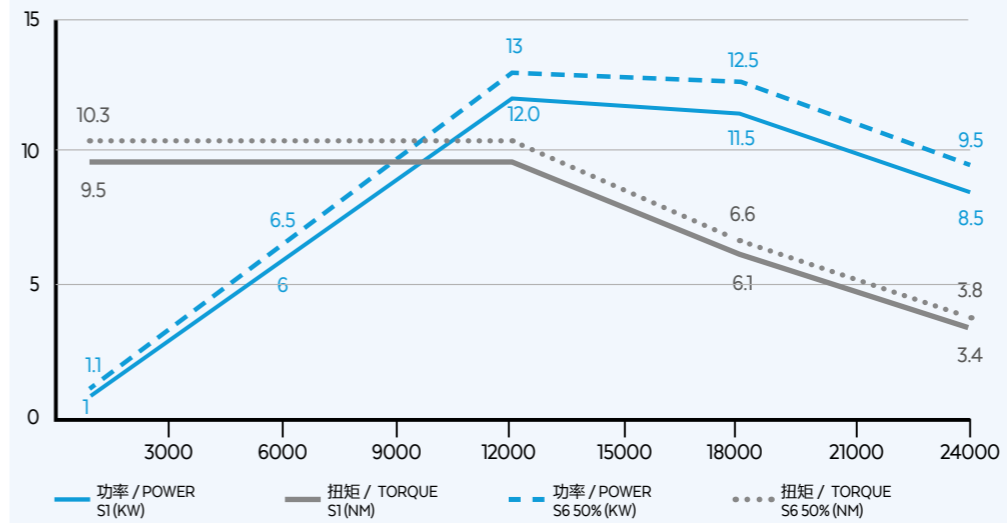
S1-S6 kW 9.5/12
S1-S6 Nm 7.6/9.5
rpm 24000
S1-S6 A 22/27
Volt 380
kg 26

器材 / EQUIPMENT

Pol es 4
Supply inverter
ER 40DX
Ceramic ball bearings
Liquid cooling
Labyrinth with air seal
Manual tool change (M.T.C)
Grease lubrication

ML-2 12/12 24

性能 / PERFORMANCES



技术规格 / TECHNICAL SPECIFICATIONS

S1-S6 kW 12/13
S1-S6 Nm 9.5/10.3
rpm 24000
S1-S6 A 25/28
Volt 380
kg 23

器材 / EQUIPMENT

Pol es 4
Supply inverter
ER 40DX
Ceramic ball bearings
Liquid cooling
Labyrinth with air seal
Manual tool change (M.T.C)
Grease lubrication

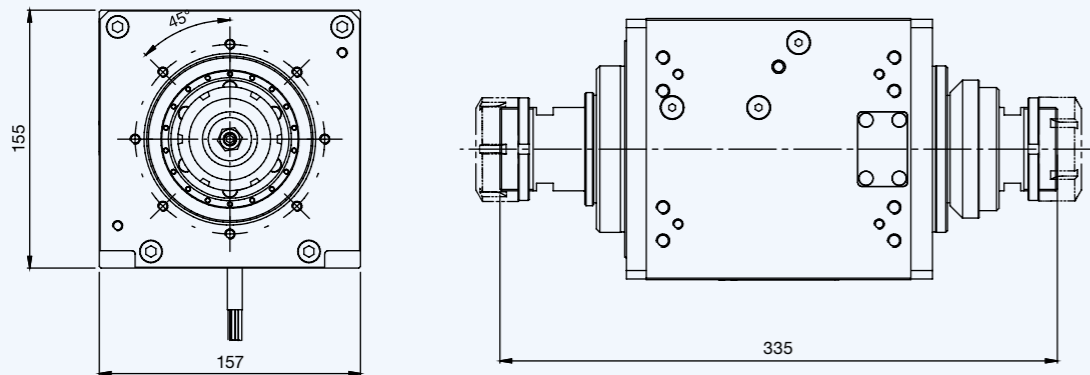
MULTITECH ML

SUITABLE FOR MACHINING LATEST MATERIALS IN DUST ENVIRONMENTS
EASY ASSEMBLING ON BIROTARY HEADS
AVAILABLE WITH LIQUID COOLING TO FOR HEAVY AND INTENSIVE PROCESSES
AVAILABLE WITH ER 32 AND ER 40



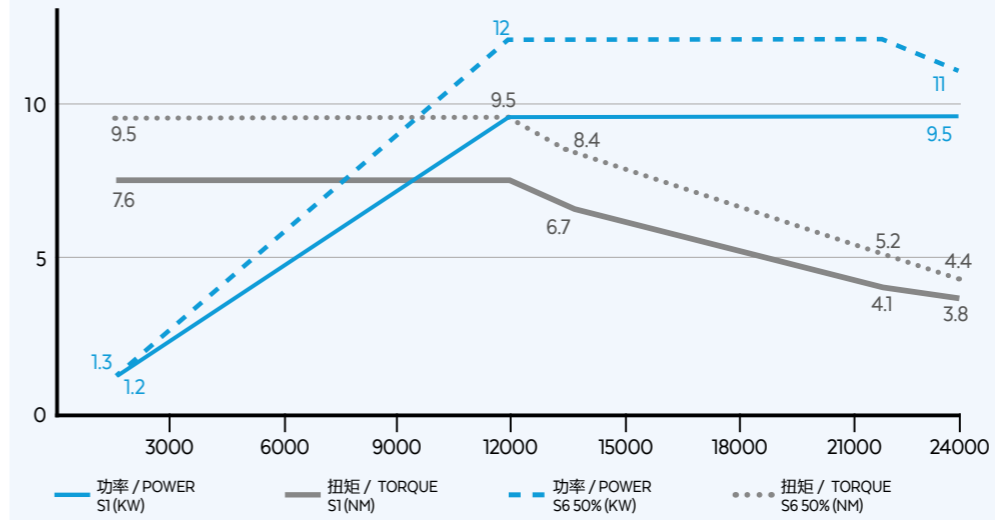
LAYOUT ER 40 DX-SX

2 ENDS



ML-2 9.5/12 24

性能 / PERFORMANCES



技术规格 / TECHNICAL SPECIFICATIONS

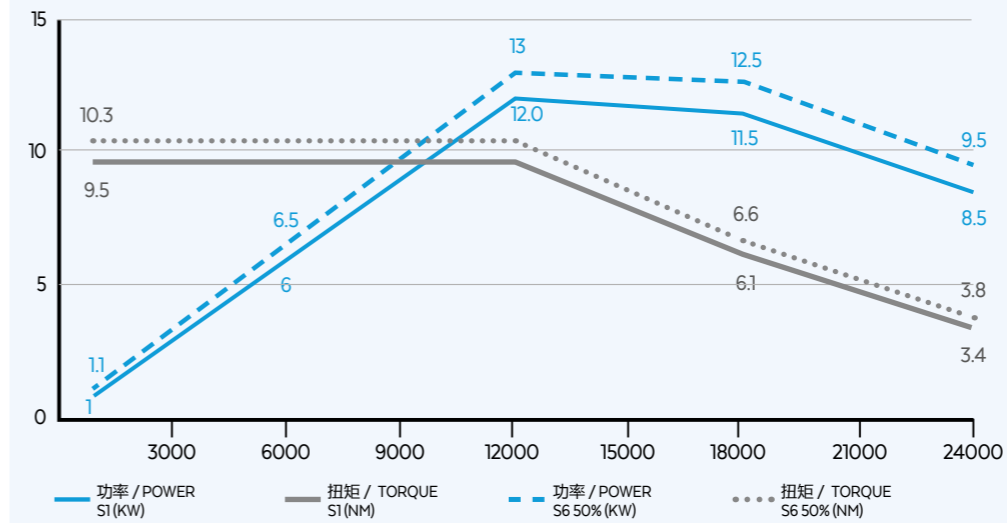
S1-S6 kW 9.5/12	S1-S6 A 22/27	Pol es 4
S1-S6 Nm 7.6/9.5	Volt 380	Supply inverter
rpm 24000	kg 26	

器材 / EQUIPMENT

ER 40 DX-SX	Liquid cooling	Manual tool change (M.T.C.)	Grease lubrication
Ceramic ball bearings	Labyrinth with air seal		

ML-2 12/12 24

性能 / PERFORMANCES



技术规格 / TECHNICAL SPECIFICATIONS

S1-S6 kW 12/13	S1-S6 A 25/28	Pol es 4
S1-S6 Nm 9.5/10.3	Volt 380	Supply inverter
rpm 24000	kg 26	

器材 / EQUIPMENT

ER 40DX	Liquid cooling	Manual tool change (M.T.C.)	Grease lubrication
Ceramic ball bearings	Labyrinth with air seal		

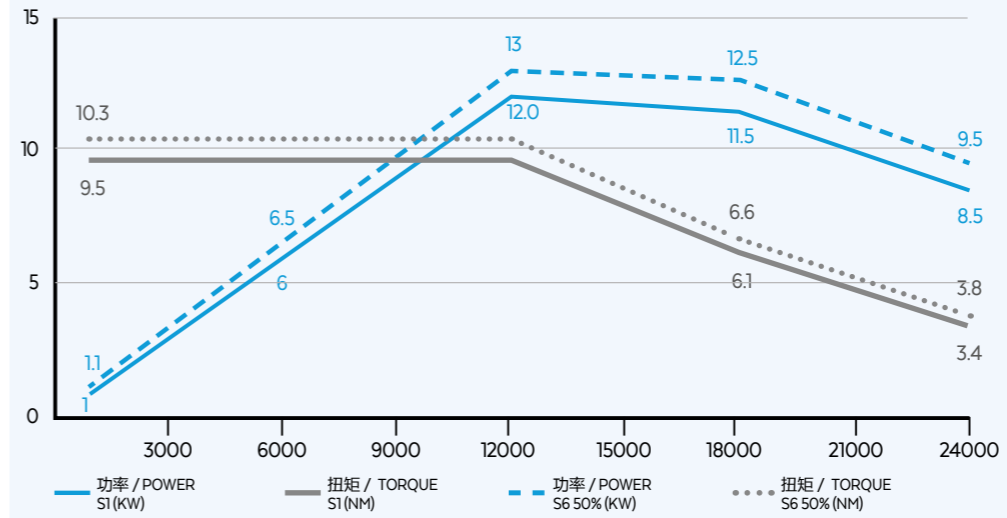
MULTITECH ML

SUITABLE FOR MACHINING LATEST MATERIALS IN DUST ENVIRONMENTS
EASY ASSEMBLING ON BIROTARY HEADS
AVAILABLE WITH LIQUID COOLING TO FOR HEAVY AND INTENSIVE PROCESSES
AVAILABLE WITH ER 32 AND ER 40



ML-2 12/12 24

性能 / PERFORMANCES



技术规格 / TECHNICAL SPECIFICATIONS

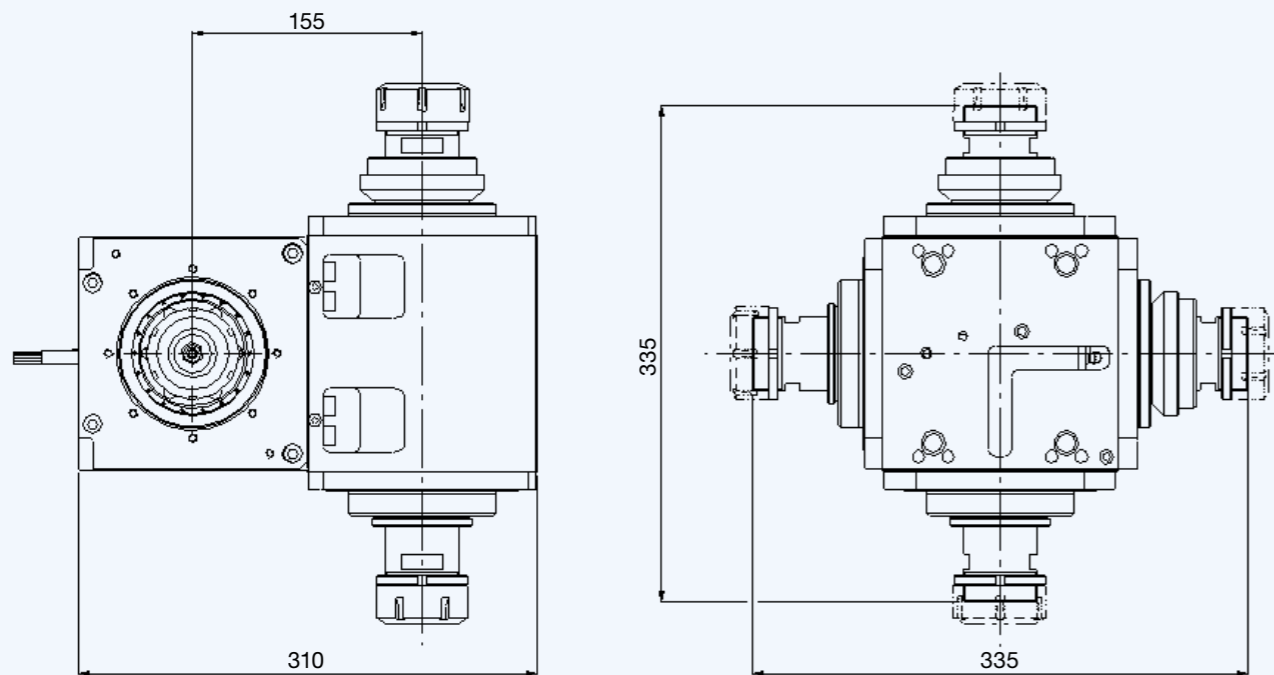
S1-S6 kW 12/13	S1-S6 A 25/28	Pol es 4
S1-S6 Nm 9.5/10.3	Volt 380	Sup ply inverter
rpm 24000	kg 26	

器材 / EQUIPMENT

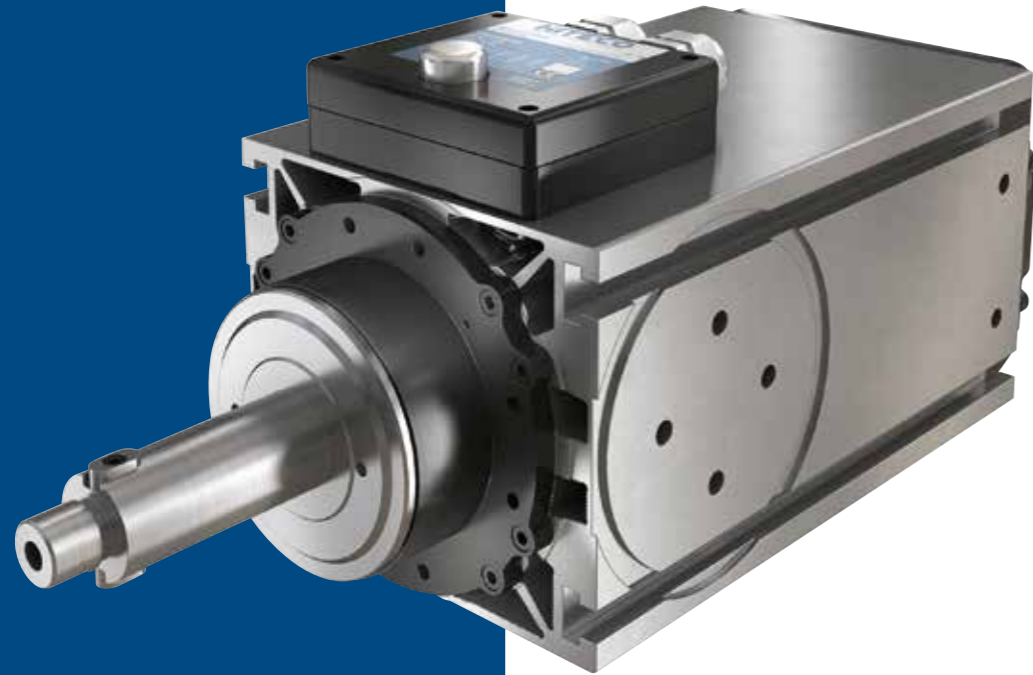
- ER 40 DX-SX
- Liquid cooling
- Manual tool change (M.T.C)
- Grease lubrication
- Ceramic ball bearings
- Labyrinth with air seal

LAYOUT ER 40 DX-SX

2 ENDS

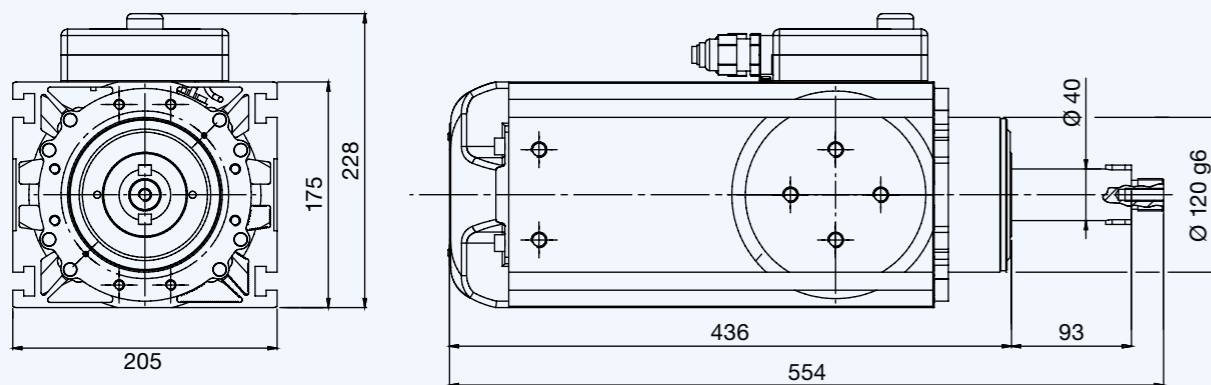


MULTITECH MQH



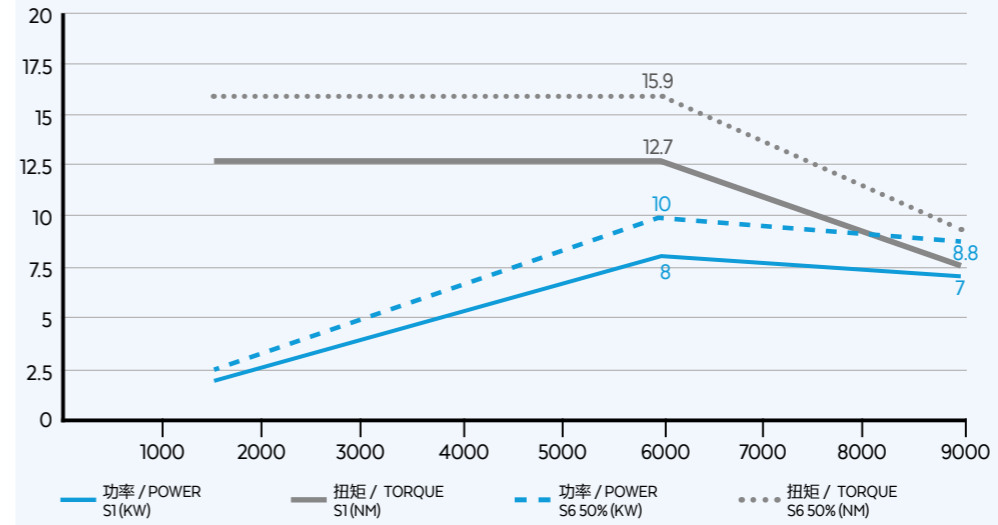
SUITABLE FOR MACHINING WOOD
POWER UP TO 13 KW
SHAFT ROTATION SENSOR

LAYOUT D40



MQH-18/6 9

性能 / PERFORMANCES



技术规格 / TECHNICAL SPECIFICATIONS

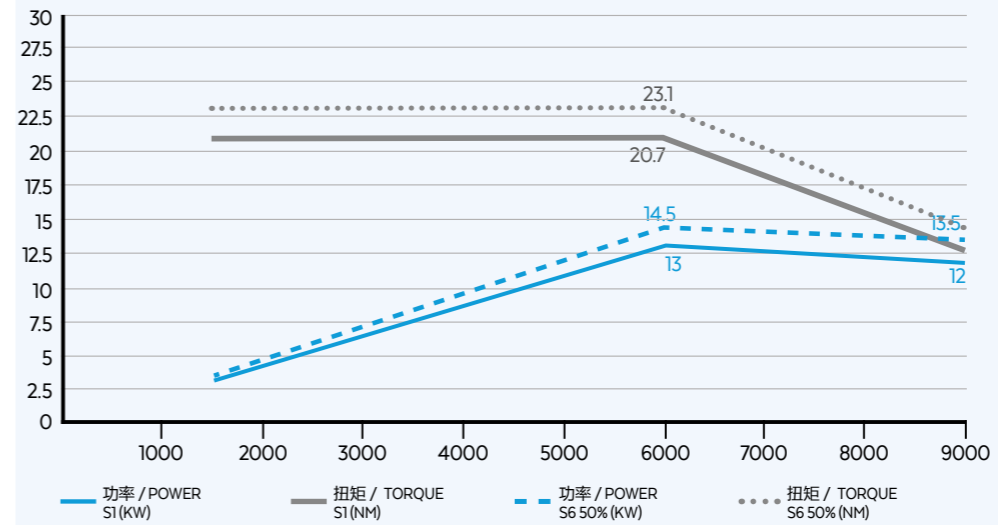
S1-S6 kW 8/10	S1-S6 A 15.8/18.7	Pol es 4
S1-S6 Nm 12.7/15.9	Volt 380	Supply inverter
rpm 9000	kg 55	

器材 / EQUIPMENT

Shaft D40	Cooling by shaft-driven fan	Manual tool change (M.T.C.)	Sensors s3
Steel bearings	Grease lubrication		

MQH-113/6 9

性能 / PERFORMANCES



技术规格 / TECHNICAL SPECIFICATIONS

S1-S6 kW 13/14.5	S1-S6 A 25.8/30	Pol es 4
S1-S6 Nm 20.7/23.1	Volt 380	Supply inverter
rpm 9000	kg 55	

器材 / EQUIPMENT

Shaft D40	Cooling by shaft-driven fan	Manual tool change (M.T.C.)	Sensors s3
Steel bearings	Grease lubrication		

C-AXIS FOR POWERTECH 300-400



短鼻罗盘 (NC), 配3个气动连接,
配Yaskawa伺服电机
Compass Short Nose (NC) with 3 pneumatic connections
With Yaskawa servo-motor

长鼻罗盘 (NL), 配3个气动连接, 配Yaskawa伺服电机
Compass Long Nose (NL) with 3 pneumatic connections
With Yaskawa servo-motor

选配 / OPTIONS

可提供不含伺服电机的型号
Available without servomotor

刀架锥体 TOOL HOLDER



Tool holder 刀架锥体	HSK63A ER 32 M40X1.5_DX
Tool holder 刀架锥体	HSK63F ER 32 M40X1.5_DX
Tool holder 刀架锥体	ISO30 ER 32 M40X1.5_DX

关于其他类型的刀架钳,
请联系Hiteco工作人员
For other tool holder types, please contact Hiteco staff

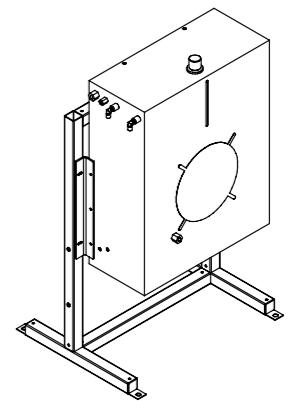
刀架钳 TOOL FINGER



Tool finger 刀架钳	HSK 63A
Tool finger 刀架钳	HSK 63F
Tool finger 刀架钳	ISO 30

关于其他类型的刀架钳,
请联系Hiteco工作人员
For other tool holder types, please contact Hiteco staff

换热器 HEAT EXCHANGER



冷却功率 Cooling power	5000 W with liquid temperature +40°, air temperature +20°C
液体流量 Liquid flow	4 lt/min at 5,5 bar
槽容量 Tank capacity	5 lt

选配 / OPTIONS

可提供无支架和软管的版本
Available without support and flexible hoses

防转衬套 ANTI-ROTATION SLEEVES



用于PT200的防转衬套: 2个位置,
无气动连接
Anti-rotation sleeve for PT 200: 2 positions
Without pneumatic connections

用于 PT250 的防转衬套: 2个位置,
配或不配气动连接
Anti-rotation sleeves for PT 250: 2 positions
With or without pneumatic connections

用于PT300-400的防转衬套: 2个位置, 有短鼻和长鼻版本
(NC和NL), 配或不配气动连接
Anti-rotation sleeves for PT 300-400: 2 positions
Available with Short and Long Nose (NC and NL)
With or without pneumatic connections

用于5轴主轴的防转衬套
(配1个气动连接)
Anti-rotation sleeves for 5-axis spindles
With 1 pneumatic connection





ss 258 Marecchia, 34 47826 Villa Verucchio, Rimini - Italia
tel. +39.0541.674940 - fax +39.0541.674962
www.hiteco.net